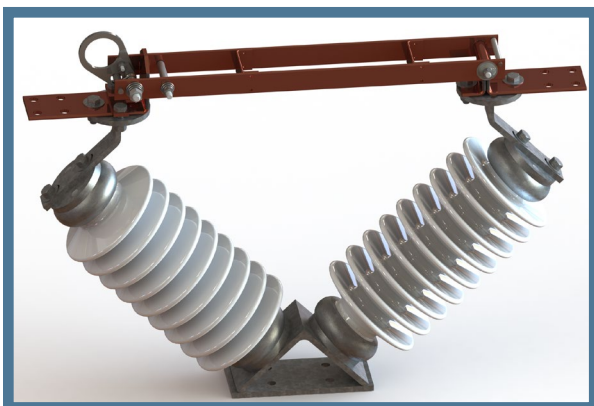


TYPE XT DISCONNECT SWITCHES

062-171217.1
(Rev. of 45-1008)

OUTDOOR HOOKSTICK OPERATED (SUBSTATION APPLICATIONS)



- Vertical or Underhung Mounting
- 7.5KV through 69KV
- 600A through 2500A
- Single, Tandem, and Low-Profile Styles



MANUFACTURER OF HIGH VOLTAGE PRODUCTS SINCE 1914
1.800.426.4380

FEATURES OF TYPE XT DISCONNECT SWITCH

- Large pull ring - easy to hook.
- The pull ring and latch are made from corrosion resistant stainless steel.
- The XT Design utilizes proven high pressure line contacts at the hinge and jaw for reduced operating force and years of reliable service.
- Tongue-type contact provides double contact surfaces.
- All contact surfaces are silver plated for low contact resistance.
- All current carrying parts are hard-drawn copper.
- Available in single, tandem, and low-profile styles.
- Ratings for 7.5kV to 69kV - from 600 to 2500 amperes.
- Switches rated 1200 amperes are available with either 30°C or 53°C maximum temperature rise design.
- Wood crate packaging.

Contacts

Contacts of the XT are high pressure line type. The contact tip is tapered to act as a blade guide. When opening, the pull ring acts as a pryout for the blade. All current carrying parts are made of hard drawn copper. All contacts are silver plated.

Blades

The blades are made of hard-drawn copper. The two blade members straddle the contact tongue to provide two contact surfaces. 90° blade stops are provided as standard and other stops are available upon request.

Bases

Switch bases are single steel channel. Standard dimensions are listed but any base length and drilling can be furnished. For crossarm mounting, bases can be drilled to accommodate standard pole-top diameters. Bases are hot-dipped galvanized after fabrication.

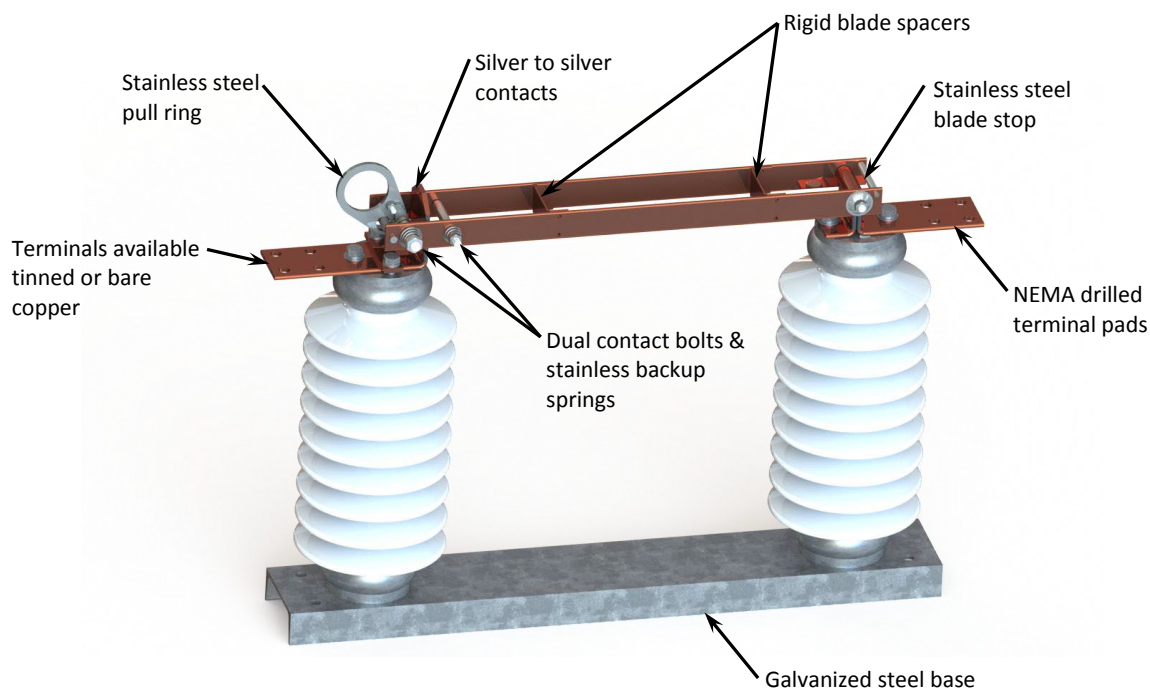
Insulators

Type XT switches are mounted on ANSI standard station-post insulators. Non-porcelain are available upon request.

Rating Standards

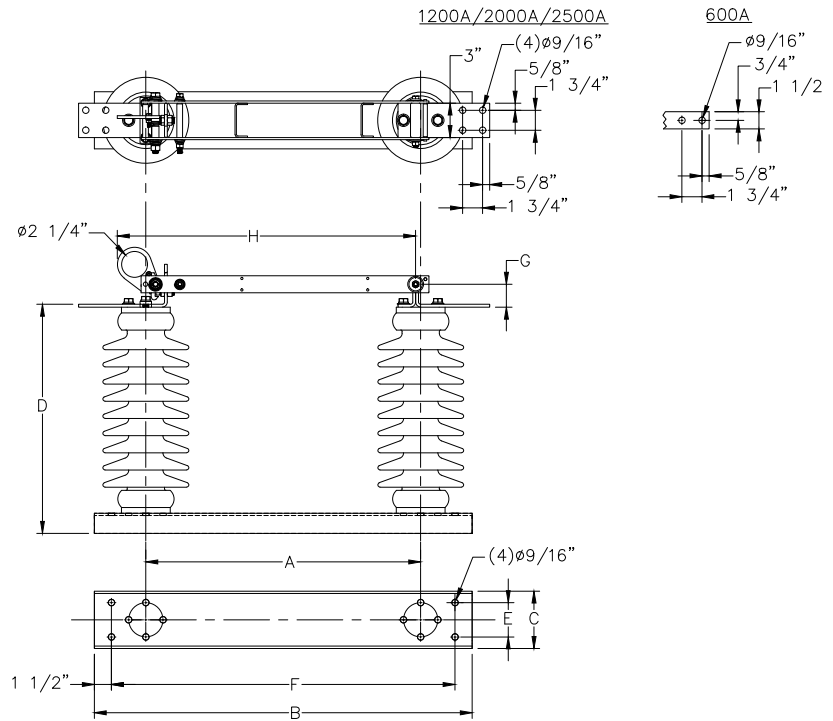
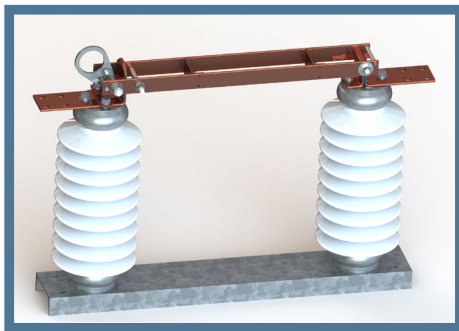
Type XT switches will carry full rated load continuously in accordance with latest ANSI standards. These switches have also been tested in accordance with and will meet short-time current ratings for outdoor switches, per ANSI standards.

Certified test reports are available upon request.



TYPE XT DISCONNECT SWITCH OUTDOOR HOOK-OPERATED SINGLE POLE, SINGLE THROW

- Terminal pads are drilled 9/16" on standard 1 3/4" centers unless otherwise requested.
- Terminals tinned as standard. Bare copper terminals available.
- Holes sizes and locations are provided as required.
- Certified construction drawings are furnished.
- 90° blade stops are furnished as standard. Other blade stops are available upon request.

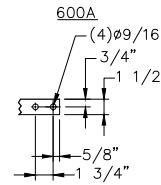
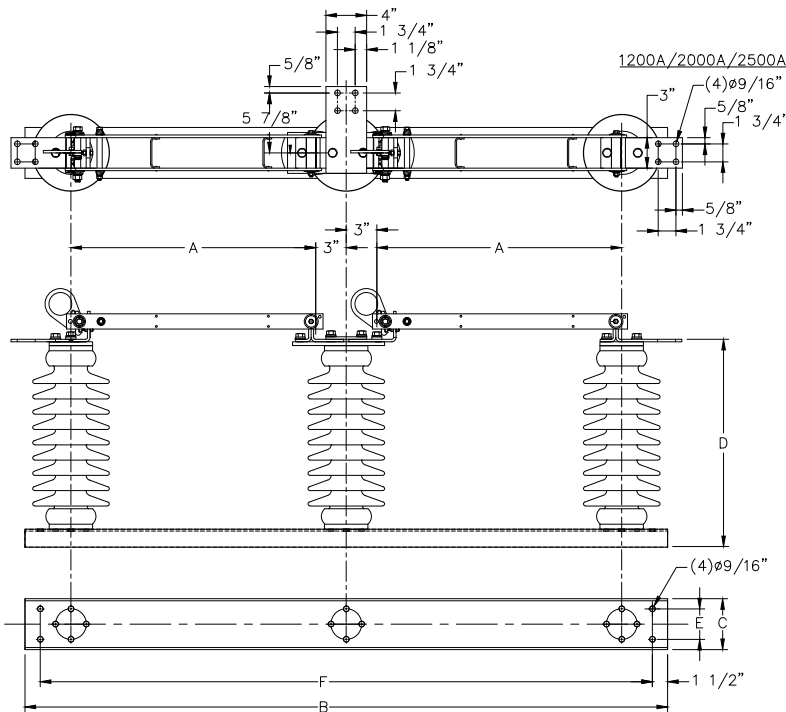


KV NOM. (MAX.)	RATINGS		INSULATOR		CATALOG NO.	DIMENSIONS (IN)							Single Pole Weight (Lbs.)		
	CURRENT CONT. (A)	kA MOM.	T.R.	B.I.L.		A	B	C	D	E	F	G		H	
7.5 (8.3)	600	40	202	95	24001	12	23	5	9 1/2	3	20	2	14 1/16	52	
	1200	61			24002				9 1/2			2			57
	2000	100			24003				9 3/4			2 1/4			77
	2500	100			24073				10 1/4			2 3/4			85
15 (15.5)	600	40	205	110	24004	15	26	5	12	3	23	2	17 1/16	55	
	1200	61			24005				12			2			58
	2000	100			24006				12 1/4			2 1/4			81
	2500	100			24074				12 3/4			2 3/4			89
23 (27)	600	40	208	150	24007	18	27	5	16	3	24	2	20 1/16	79	
	1200	61			24008				16			2			81
	2000	100			24009				16 1/4			2 1/4			106
	2500	100			24075				16 3/4			2 3/4			114
34.5 (38)	600	40	210	200	24010	24	33	5	20	3	30	2	26 1/16	99	
	1200	61			24011				20			2			102
	2000	100			24012				20 1/4			2 1/4			129
	2500	100			24076				20 3/4			2 3/4			137
46 (48.3)	600	40	214	250	24013	30	41	5	24	3	38	2	32 1/16	118	
	1200	61			24014				24			2			121
	2000	100			24015				24 1/4			2 1/4			150
	2500	100			24077				24 3/4			2 3/4			158
69 (72.5)	600	40	216	350	24016	42	53	6	32 1/8	4	50	2	44 1/16	196	
	1200	61			24017				32 1/8			2			200
	2000	100			24018				32 3/8			2 1/4			233
	2500	100			24078				32 7/8			2 3/4			241

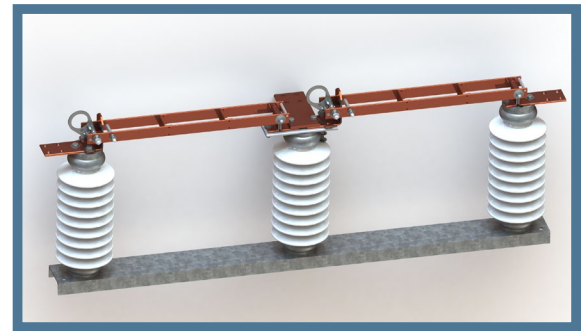


MANUFACTURER OF HIGH VOLTAGE PRODUCTS SINCE 1914
1.800.426.4380

TYPE XT TANDEM OUTDOOR HOOK-OPERATED SINGLE POLE, DOUBLE BLADE



- Terminal pads are drilled 9/16" on standard 1 3/4" centers unless otherwise requested.
- Terminals tinned as standard. Bare copper terminals available.
- Certified construction drawings are furnished.
- 90 degree blade stops furnished on top switch. Specify if required on bottom switch.
- Center pad reversible for right hand or left hand take-off.



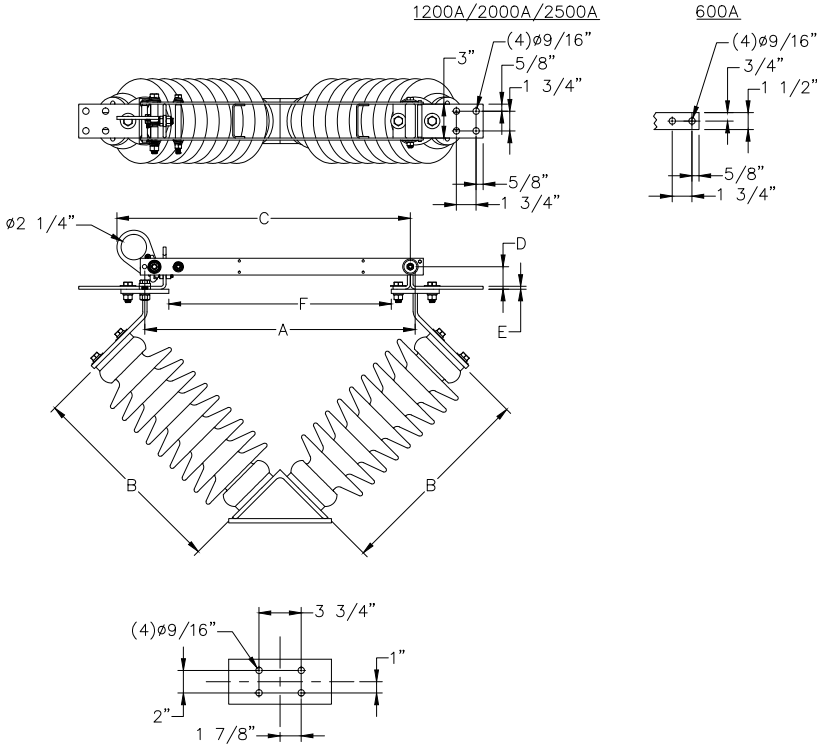
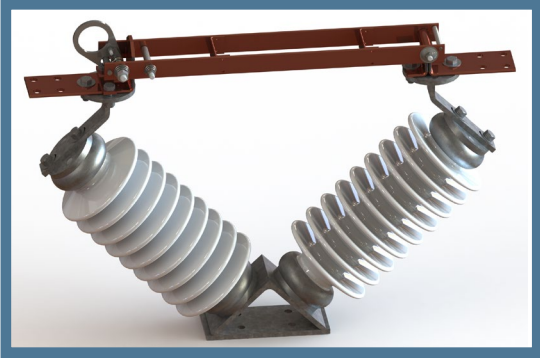
KV NOM. (MAX.)	RATINGS		INSULATOR		CATALOG NO.	DIMENSIONS (IN)						Single Pole Weight (Lbs.)
	CURRENT CONT. (A)	kA MOM.	T.R.	B.I.L.		A	B	C	D	E	F	
7.5 (8.3)	600	40	202	95	24019	12	39	5	9 7/8	3	36	91
	1200	61			24020				9 7/8			104
	2000	100			24021				10 1/4			148
	2500	100			24079				11			164
15 (15.5)	600	40	205	110	24022	15	45	5	12 3/8	3	42	97
	1200	61			24023				12 3/8			106
	2000	100			24024				12 3/4			156
	2500	100			24080				13 1/2			172
23 (27)	600	40	208	150	24025	18	51	5	16 3/8	3	48	136
	1200	61			24026				16 3/8			143
	2000	100			24027				16 3/4			197
	2500	100			24081				17 1/2			213
34.5 (38)	600	40	210	200	24028	24	63	5	20 3/8	3	60	168
	1200	61			24029				20 3/8			176
	2000	100			24030				20 3/4			233
	2500	100			24080				21 1/2			249
46 (48.3)	600	40	214	250	24031	30	75	5	24 3/8	3	72	197
	1200	61			24032				24 3/8			206
	2000	100			24033				24 3/4			267
	2500	100			24083				25 1/2			283
69 (72.5)	600	40	216	350	24034	42	99	6	32 1/2	4	96	319
	1200	61			24035				32 1/2			329
	2000	100			24036				32 7/8			397
	2500	100			24084				33 5/8			413



MANUFACTURER OF HIGH VOLTAGE PRODUCTS SINCE 1914
1.800.426.4380

TYPE XT LOW-PROFILE SWITCH OUTDOOR HOOK-OPERATED SINGLE POLE, SINGLE THROW

- Terminal pads are drilled 9/16" on standard 1 3/4" centers unless otherwise requested.
- Terminals tinned as standard. Bare copper terminals available.
- Certified construction drawings are furnished.
- 90° blade stops are standard.



KV NOM. (MAX.)	RATINGS		INSULATOR		CATALOG NO.	DIMENSIONS (IN)						Single Pole Weight (Lbs.)	
	CURRENT CONT. (A)	kA MOM.	T.R.	B.I.L.		A	B	C	D	E	F		
7.5 (8.3)	600	40	202	95	24037	12	7 1/2	14 1/16	2	1/4	7 3/4	54	
	1200	61			24038				2	1/4			56
	2000	100			24039				2 1/4	1/2			79
	2500	100			24085				2 3/4	1			87
15 (15.5)	600	40	205	110	24040	15	10	17 1/16	2	1/4	10 3/4	55	
	1200	61			24041				2	1/4			59
	2000	100			24042				2 1/4	1/2			82
	2500	100			24086				2 3/4	1			90
23 (27)	600	40	208	150	24043	18	14	20 1/16	2	1/4	13 3/4	79	
	1200	61			24044				2	1/4			81
	2000	100			24045				2 1/4	1/2			106
	2500	100			24087				2 3/4	1			114
34.5 (38)	600	40	210	200	24046	24	18	26 1/16	2	1/4	19 3/4	95	
	1200	61			24047				2	1/4			98
	2000	100			24048				2 1/4	1/2			125
	2500	100			24088				2 3/4	1			133
46 (48.3)	600	40	214	250	24049	30	22	32 1/16	2	1/4	25 3/4	110	
	1200	61			24050				2	1/4			113
	2000	100			24051				2 1/4	1/2			142
	2500	100			24089				2 3/4	1			150
69 (72.5)	600	40	216	350	24052	42	30	44 1/16	2	1/4	37 1/2	181	
	1200	61			24053				2	1/4			185
	2000	100			24054				2 1/4	1/2			218
	2500	100			24090				2 3/4	1			226



MANUFACTURER OF HIGH VOLTAGE PRODUCTS SINCE 1914
1.800.426.4380