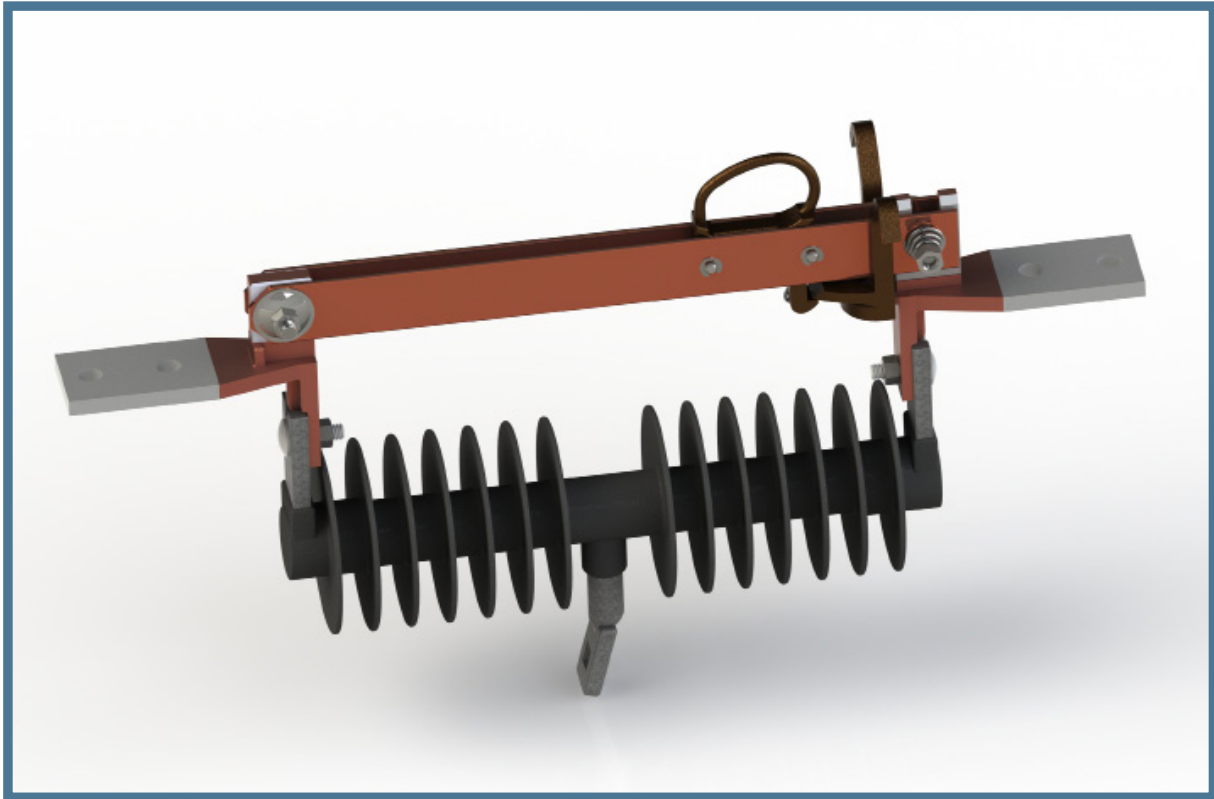


# TYPE B1SL DISCONNECT SWITCHES

090-180108.1  
(Rev. of 090-140307.1)

OUTDOOR HOOKSTICK OPERATED (DISTRIBUTION CLASS)



- 15KV/25KV Applications
- 900A -- 40,000A momentary
- Furnished with hooks for loadbreak tool
- Cost efficient single insulator design
- Polymer style insulator



MANUFACTURER OF HIGH VOLTAGE PRODUCTS SINCE 1914  
1.800.426.4380

## FEATURES OF THE TYPE BISL DISCONNECT SWITCH

- Simple, single bolt mounting design.
- Angled mounting tab provides convenient switch operation and orientation.
- Furnished with hooks for use with portable loadbreak tool.
- Light, compact and easy to install.
- Tinned, 2-hole NEMA terminal pads.
- Smooth, simple latch action - ease and certainty of operation.
- All switch current carrying parts of hard-drawn copper, cast copper, or high conductivity bronze.
- Double-tongue contact - extra contact surface.
- Construction of blades provides lateral stability when closing.
- All contacts silver plated.
- Captive hardware available at extra charge.
- Terminal connectors supplied at extra charge

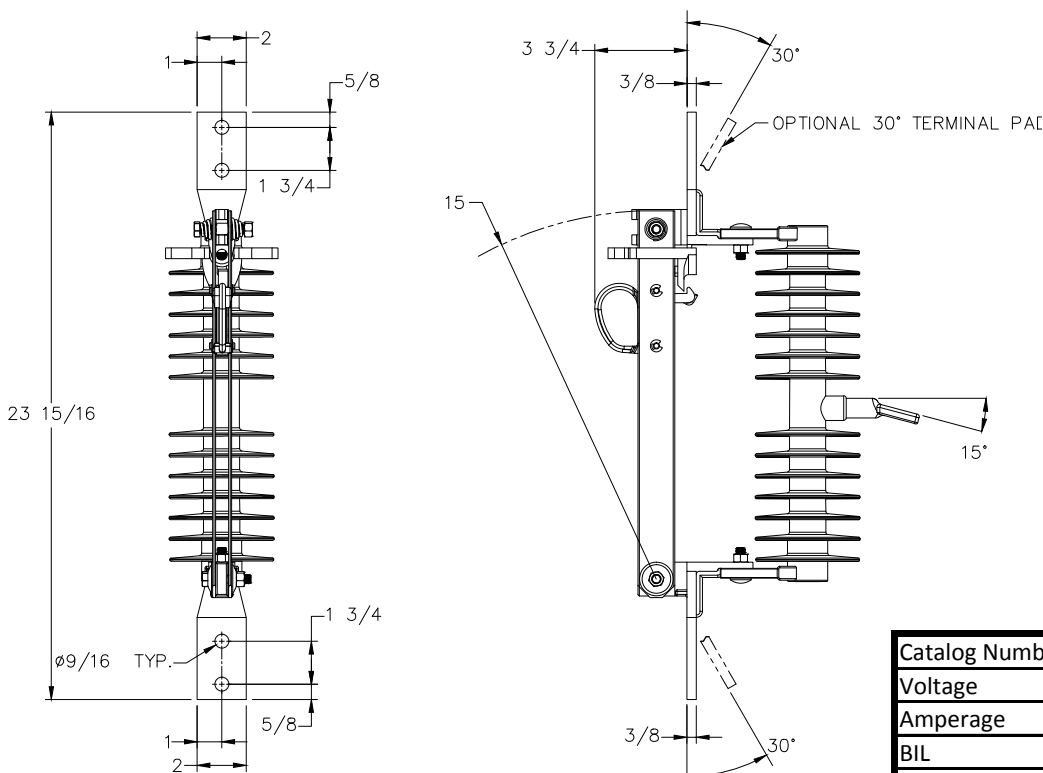
The Royal BISL switch was designed to meet increasing demands for simple overhead distribution line construction. It is a compact switch for mounting directly to existing cutout bracketry.

Applications of the BISL switch are for sectionalizing or tapping distribution lines from 15kV through 25kV. Current ratings are 900 amperes continuous, 40,000 amperes momentary.

Easy hookstick access to the switch is provided by a large pull ring.

Installation of the BISL switch is simple. The switch mounts quickly to any structure with the use of a 1/2" carriage bolt at the conveniently angled tab.

The type BISL is a cleanly designed switch, simple in operation and construction - with design features that make it dependable over many years of service.



Catalog Number	20415
Voltage	15kV/27kV
Amperage	900A
BIL	150kV
Short-Time Withstand Current (3s)	25kA
Peak Withstand Current (10 cycles)	65kA