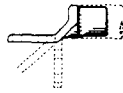


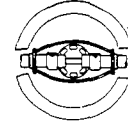
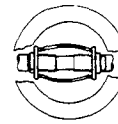
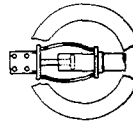
POWER CONNECTORS

WELDING FITTINGS PICTORIAL INDEX

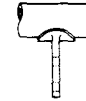
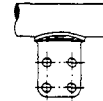
SECTION We



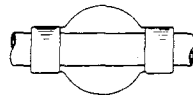
*Type EWF, EWF-45, EWF-90 Page We-4 *Type EWLW – Page We-8 *Type EWLWU-5 – Page We-13



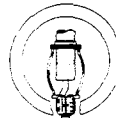
Type ECWF – Page We-6



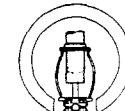
Type ETWTV-E – Page We-3 Type ECWF-90 – Page We-7 Type ETWF – Page We-1 Type ETWFX – Page We-2



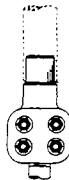
Type EWU-5 – Page We-12



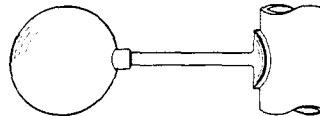
*Type ETWLS – Page We-10



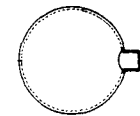
*Type ETWLS-90 – Page We-11



*Type EWST – Page We-9



Type EWDDA – Page We-14



Type EA0B – Page We-15

NOTE: Additional Fittings shown on Page We-16

*Suffix EH must be added to Catalog Number
when using extra heavy pipe (schedule 80)

We-Welding Fittings

ROYAL SWITCHGEAR MANUFACTURING CO.

3995 Pine Lane SE • Bessemer, AL 35023 • (205) 426-4090 • FAX (205) 426-4095

POWER CONNECTORS We-1

WELDING BAR CONNECTOR

TYPE ETWF

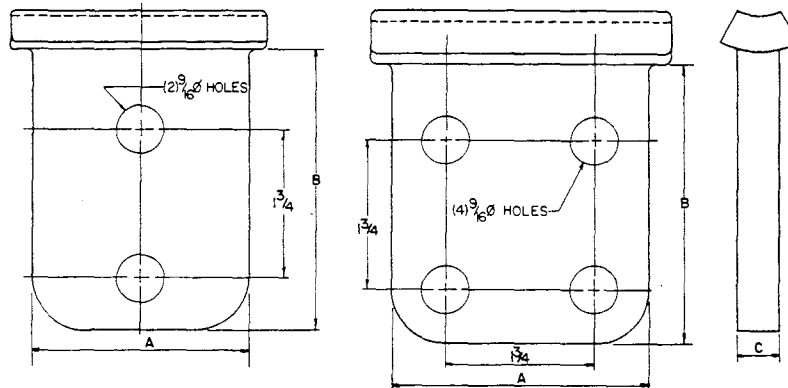


FIG. 2

CATALOG NO.	IPS	FIG	A	B	C
ETWF 05-25-2N	1/2-2 1/2	1	2	3 1/4	1/2
ETWF 05-25-3N	1/2-2 1/2	2	3	3 1/4	1/2
ETWF 30-60-3N	3-6	2	3	3 1/4	7/8
ETWF 30-60-4N	3-6	2	4	4 1/4	7/8

MAT'L: 356 ALUM.

We-Welding Fittings

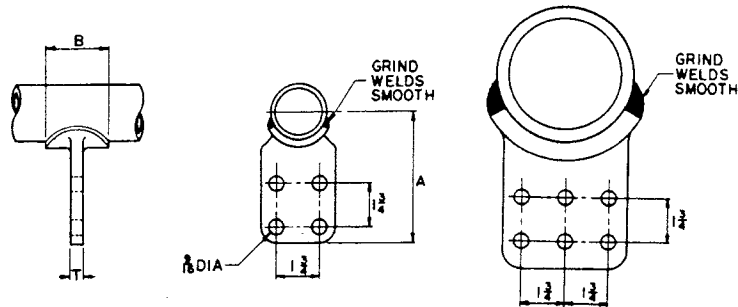
ROYAL SWITCHGEAR MANUFACTURING CO.

3995 Pine Lane SE • Bessemer, AL 35023 • (205) 426-4090 • FAX (205) 426-4095

We-2 POWER CONNECTORS

WELDING BAR CONNECTOR

TYPE ETWFX



CAT. NO.	IPS	PAD SIZE	FIG. NO.	DIMENSIONS (INCHES)		
				A	B	T
91023	2	3 x 3-1/4	1	5-1/8	2-1/2	5/8
91024	2	4 x 4-1/4	1	6-1/8	2-1/2	1/2
91025	2-1/2	3 x 3-1/4	1	5-3/8	2-1/2	7/8
91026	2-1/2	4 x 4-1/4	1	6-3/8	2-1/2	5/8
91027	3	3 x 3-1/4	1	5-3/4	2-1/2	1
91028	3	4 x 4-1/4	1	6-3/4	2-1/2	3/4
91029	3-1/2	3 x 3-1/4	1	6	2-1/2	1-1/4
91030	3-1/2	4 x 4-1/4	1	7	2-1/2	7/8
91031	4	3 x 3-1/4	1	6-1/4	2-1/2	1-1/4
91032	4	4 x 4-1/4	1	7-1/4	2-1/2	1
91034	5	4 x 4-1/4	1	8	2-1/2	1-1/4
91035	5	5 x 4-1/4	2	8	2-1/2	1
91036	5	6 x 4-1/4	2	8	2-1/2	7/8
91038	6	4 x 4-1/4	1	8-1/2	2-1/2	1-1/2
91039	6	5 x 4-1/4	2	8-1/2	2-1/2	1-1/4
91040	6	6 x 4-1/4	2	8-1/2	2-1/2	1

Example for Ordering: No. 91024 Royal Type ETWFX welding bar connector for 2" IPS aluminum to 4 x 4-1/4 NEMA pad.

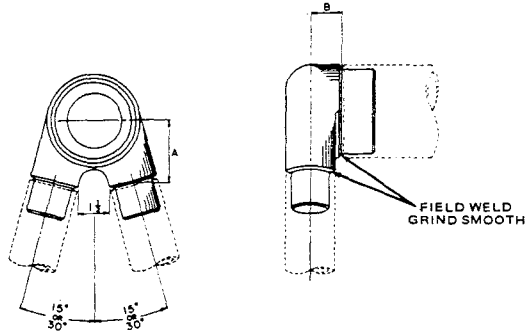
ROYAL SWITCHGEAR MANUFACTURING CO.

3995 Pine Lane SE • Bessemer, AL 35023 • (205) 426-4090 • FAX (205) 426-4095

POWER CONNECTORS We-3

WELDING V-TAP PLUG CONNECTOR

TYPE ETWTV-E



We-Welding Fittings

CATALOG NO.		CONDUCTOR SIZE		DIMENSIONS (INCHES)	
15°	30°	IPS RUN	IPS TAPS	A	B
90853	90881	2	2	1-7/8	1-7/16
90854	90882	2-1/2	2	2-1/4	1-7/16
90855	90883	2-1/2	2-1/2	2-1/4	1-11/16
90856	90884	3	2	2-5/8	1-7/16
90857	90885	3	2-1/2	2-5/8	1-11/16
90858	90886	3	3	2-5/8	2-1/8
90859	90887	3-1/2	2	2-7/8	1-7/16
90860	90888	3-1/2	2-1/2	2-7/8	1-11/16
90861	90889	3-1/2	3	2-7/8	2-1/8
90862	90890	3-1/2	3-1/2	2-7/8	2-3/8
90863	90891	4	2	3-1/8	1-7/16
90864	90892	4	2-1/2	3-1/8	1-11/16
90865	90893	4	3	3-1/8	2-1/8
90866	90894	4	3-1/2	3-1/8	2-3/8
90867	90895	4	4	3-1/8	2-5/8
90868	90896	5	2	3-3/4	1-7/16
90869	90897	5	2-1/2	3-3/4	1-11/16
90870	90898	5	3	3-3/4	2-1/8
90871	90899	5	3-1/2	3-3/4	2-3/8
90872	90900	5	4	3-3/4	2-5/8
90873	90901	5	5	3-3/4	3-1/4
90874	90902	6	2	4-3/8	1-7/16
90875	90903	6	2-1/2	4-3/8	1-11/16
90876	90904	6	3	4-3/8	2-1/8
90877	90905	6	3-1/2	4-3/8	2-3/8
90878	90906	6	4	4-3/8	2-5/8
90879	90907	6	5	4-3/8	3-1/4
90880	90908	6	6	4-3/8	3-7/8

Example for Ordering: No. 90860 Royal Type ETWTV-E welding V-tap plug connector for 3-1/2" IPS aluminum run to two 2-1/2" IPS aluminum taps at 15°.

Add suffix - EH to catalog number for extra heavy pipe.

ROYAL SWITCHGEAR MANUFACTURING CO.

3995 Pine Lane SE • Bessemer, AL 35023 • (205) 426-4090 • FAX (205) 426-4095

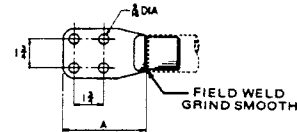
We-4 POWER CONNECTORS

WELDING TERMINAL LUG

TYPES EWF, EWF-45, EWF-90

TYPE EWF

CAT. NO.	IPS	PAD SIZE	DIMENSIONS (INCHES)		
			A	B	T
90776	2	3 x 3-1/4	4-5/8	1-7/16	5/8
90777	2	4 x 4-1/4	5-5/8	1-7/16	1/2
90778	2-1/2	3 x 3-1/4	4-5/8	1-11/16	7/8
90779	2-1/2	4 x 4-1/4	5-5/8	1-11/16	5/8
90780	3	3 x 3-1/4	4-5/8	2	1
90781	3	4 x 4-1/4	5-5/8	2	3/4
90782	3-1/2	3 x 3-1/4	4-3/4	2-1/4	1-1/4
90783	3-1/2	4 x 4-1/4	5-3/4	2-1/4	7/8
90784	4	3 x 3-1/4	4-3/4	2-1/2	1-1/4
90785	4	4 x 4-1/4	5-3/4	2-1/2	1
90787	5	4 x 4-1/4	5-3/4	3-1/16	1-1/4
90789	6	4 x 4-1/4	5-3/4	3-9/16	1-1/2



TYPE EWF-45

90790	2	3 x 3-1/4	—	—	5/8
90791	2	4 x 4-1/4	—	—	1/2
90792	2-1/2	3 x 3-1/4	—	—	7/8
90793	2-1/2	4 x 4-1/4	—	—	5/8
90794	3	3 x 3-1/4	—	—	1
90795	3	4 x 4-1/4	—	—	3/4
90796	3-1/2	3 x 3-1/4	—	—	1-1/4
90797	3-1/2	4 x 4-1/4	—	—	7/8
90798	4	3 x 3-1/4	—	—	1-1/4
90799	4	4 x 4-1/4	—	—	1
90801	5	4 x 4-1/4	—	—	1-1/4
90803	6	4 x 4-1/4	—	—	1-1/2

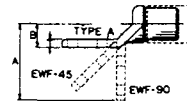
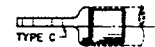


FIG. 1



TYPE EWF-90

90804	2	3 x 3-1/4	4-3/4	—	5/8
90805	2	4 x 4-1/4	5-3/4	—	1/2
90806	2-1/2	3 x 3-1/4	5	—	7/8
90807	2-1/2	4 x 4-1/4	6	—	5/8
90808	3	3 x 3-1/4	5-1/4	—	1
90809	3	4 x 4-1/4	6-1/4	—	3/4
90810	3-1/2	3 x 3-1/4	5-1/2	—	1-1/4
90811	3-1/2	4 x 4-1/4	6-1/2	—	7/8
90812	4	3 x 3-1/4	5-3/4	—	1-1/4
90813	4	4 x 4-1/4	6-3/4	—	1
90815	5	4 x 4-1/4	7-5/16	—	1-1/4
90817	6	4 x 4-1/4	7-3/16	—	1-1/2

Example for Ordering: No. 90778 Royal Type EWF welding terminal lug for 2-1/2" IPS aluminum to 3 x 3-1/4" NEMA pad (Type A).

NOTE: Customer to specify Type A, or C pad. If not specified Type "A" will be furnished. Add suffix —EH to catalog number for extra heavy pipe.

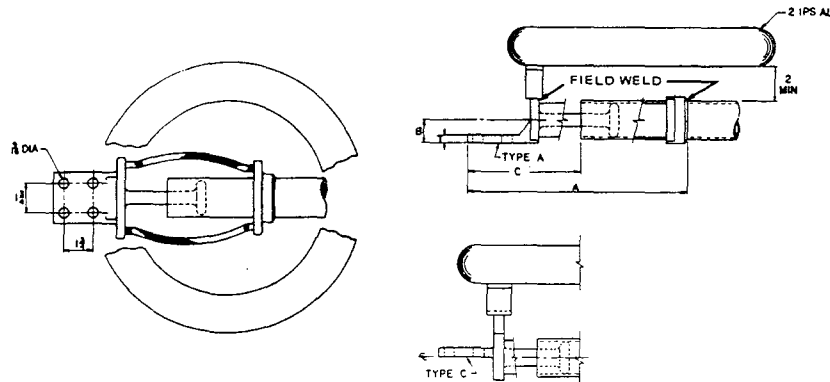
ROYAL SWITCHGEAR MANUFACTURING CO.

3995 Pine Lane SE • Bessemer, AL 35023 • (205) 426-4090 • FAX (205) 426-4095

POWER CONNECTORS **We-5**

WELDING EXPANSION TERMINAL LUG

TYPE EWLF



We-Welding Fittings

Welding Expansion Terminal Lug

CAT. NO.	IPS	PAD SIZE	DIMENSIONS (INCHES)			
			A	B	C	T
90818	2	3 x 3-1/4	13-1/2	1-7/16	6-1/2	5/8
90819	2	4 x 4-1/4	14-1/2	1-7/16	7-1/2	1/2
90820	2-1/2	3 x 3-1/4	13-1/2	1-11/16	6-1/2	7/8
90821	2-1/2	4 x 4-1/4	14-1/2	1-11/16	7-1/2	5/8
90822	3	3 x 3-1/4	14-1/2	2	7	1
90823	3	4 x 4-1/4	15-1/2	2	8	3/4
90824	3-1/2	3 x 3-1/4	14-1/2	2-1/4	7	1-1/4
90825	3-1/2	4 x 4-1/4	15-1/2	2-1/4	8	7/8
90826	4	3 x 3-1/4	15-1/2	2-1/2	7-1/2	1-1/4
90827	4	4 x 4-1/4	16-1/2	2-1/2	8-1/2	1
90829	5	4 x 4-1/4	16-1/2	3-1/16	8-1/2	1-1/4
90831	6	4 x 4-1/4	16-1/2	3-9/16	8-1/2	1-1/2

Example for Ordering: No. 90819 Royal EWLF welding expansion terminal lug for 2" IPS aluminum to 4 x 4-1/4" NEMA pad.

NOTES:

- For operation above 550 kv, special 4" IPS aluminum-tubing corona rings must be used. Add suffix -XV to catalog number.
- Dimensions A and C are mean dimensions for installation purposes.
- Customer to specify Type A, or C pad. If not specified, Type A will be furnished.
- Add suffix -EH to catalog number for extra heavy pipe.

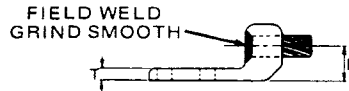
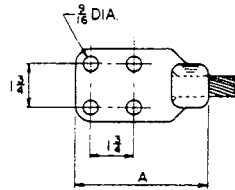
ROYAL SWITCHGEAR MANUFACTURING CO.

3995 Pine Lane SE • Bessemer, AL 35023 • (205) 426-4090 • FAX (205) 426-4095

We-6 POWER CONNECTORS

WELDING TERMINAL LUG

TYPE ECWF



CATALOG NO.		AL or ACSR MCM (MAX.)	PAD	DIMENSIONS (INCHES)		
ACSR	AL			A	B	T
90909	90929	795	3 x 3-1/4	4-5/8	1-1/2	7/16
90910	90930	795	4 x 4-1/4	5-5/8	1-1/2	3/8
90911	90931	954	3 x 3-1/4	4-3/4	1-9/16	7/16
90912	90932	954	4 x 4-1/4	5-3/4	1-9/16	3/8
90913	90933	1033.5	3 x 3-1/4	4-3/4	1-9/16	1/2
90914	90934	1033.5	4 x 4-1/4	5-3/4	1-9/16	3/8
90915	90935	1113	3 x 3-1/4	4-7/8	1-11/16	1/2
90916	90936	1113	4 x 4-1/4	5-7/8	1-11/16	3/8
90917	90937	1192.5	3 x 3-1/4	4-7/8	1-11/16	1/2
90918	90938	1192.5	4 x 4-1/4	5-7/8	1-11/16	3/8
90919	90939	1272	3 x 3-1/4	4-7/8	1-11/16	1/2
90920	90940	1272	4 x 4-1/4	5-7/8	1-11/16	3/8
90921	90941	1351.5	3 x 3-1/4	5	1-7/8	9/16
90922	90942	1351.5	4 x 4-1/4	6	1-7/8	7/16
90923	90943	1431	3 x 3-1/4	5	1-7/8	9/16
90924	90944	1431	4 x 4-1/4	6	1-7/8	7/16
90925	90945	1510.5	3 x 3-1/4	5	1-7/8	9/16
90926	90946	1510.5	4 x 4-1/4	6	1-7/8	7/16
90927	90947	1590	3 x 3-1/4	5	1-7/8	9/16
90928	90948	1590	4 x 4-1/4	6	1-7/8	7/16
-	90949	2000	3 x 3-1/4	5-3/8	2-1/8	9/16
-	90950	2000	4 x 4-1/4	6-3/8	2-1/8	7/16
-	90951	2500	3 x 3-1/4	5-3/8	2-1/8	5/8
-	90952	2500	4 x 4-1/4	6-3/8	2-1/8	1/2
-	90953	3000	3 x 3-1/4	5-3/4	2-5/16	11/16
-	90954	3000	4 x 4-1/4	6-3/4	2-5/16	1/2
-	90955	3500	3 x 3-1/4	5-3/4	2-5/16	11/16
-	90956	3500	4 x 4-1/4	6-3/4	2-5/16	1/2

Example for Ordering: #90931 Royal Type ECWF welding terminal lug for 954 MCM aluminum to 3 x 3-1/4 NEMA pad.

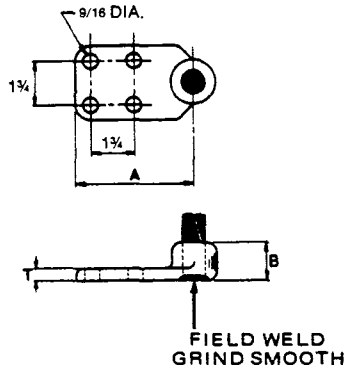
ROYAL SWITCHGEAR MANUFACTURING CO.

3995 Pine Lane SE • Bessemer, AL 35023 • (205) 426-4090 • FAX (205) 426-4095

POWER CONNECTORS We-7

WELDING TERMINAL LUG

TYPE ECWF-90



CATALOG NO.		AL or ACSR MCM (MAX.)	PAD	DIMENSIONS (INCHES)		
ACSR	AL			A	B	T
90957	90977	795	3 x 3-1/4	4-3/8	1-1/8	7/16
90958	90978	795	4 x 4-1/4	5-3/8	1-1/8	3/8
90959	90979	954	3 x 3-1/4	4-7/16	1-1/4	7/16
90960	90980	954	4 x 4-1/4	5-7/16	1-1/4	3/8
90961	90981	1033.5	3 x 3-1/4	4-7/16	1-1/4	1/2
90962	90982	1033.5	4 x 4-1/4	5-7/16	1-1/4	3/8
90963	90983	1113	3 x 3-1/4	4-9/16	1-3/8	1/2
90964	90984	1113	4 x 4-1/4	5-9/16	1-3/8	3/8
90965	90985	1192.5	3 x 3-1/4	4-9/16	1-3/8	1/2
90966	90986	1192.5	4 x 4-1/4	5-9/16	1-3/8	3/8
90967	90987	1272	3 x 3-1/4	4-9/16	1-3/8	1/2
90968	90988	1272	4 x 4-1/4	5-9/16	1-3/8	3/8
90969	90989	1351.5	3 x 3-1/4	4-5/8	1-1/2	9/16
90970	90990	1351.5	4 x 4-1/4	5-5/8	1-1/2	7/16
90971	90991	1431	3 x 3-1/4	4-5/8	1-1/2	9/16
90972	90992	1431	4 x 4-1/4	5-5/8	1-1/2	7/16
90973	90993	1510.5	3 x 3-1/4	4-5/8	1-1/2	9/16
90974	90994	1510.5	4 x 4-1/4	5-5/8	1-1/2	7/16
90975	90995	1590	3 x 3-1/4	4-5/8	1-1/2	9/16
90976	90996	1590	4 x 4-1/4	5-5/8	1-1/2	7/16
-	90997	2000	3 x 3-1/4	4-7/8	1-7/8	9/16
-	90998	2000	4 x 4-1/4	5-7/8	1-7/8	7/16
-	90999	2500	3 x 3-1/4	4-7/8	1-7/8	5/8
-	91000	2500	4 x 4-1/4	5-7/8	1-7/8	1/2
-	91001	3000	3 x 3-1/4	5-1/16	2-1/4	11/16
-	91002	3000	4 x 4-1/4	6-1/16	2-1/4	1/2
-	91003	3500	3 x 3-1/4	5-1/16	2-1/4	11/16
-	91004	3500	4 x 4-1/4	6-1/16	2-1/4	1/2

Example for Ordering: #90962 Royal Type ECWF-90 welding terminal lug for 1033.5 MCM ACSR to 4 x 4-1/4 NEMA pad.

We-Welding Fittings

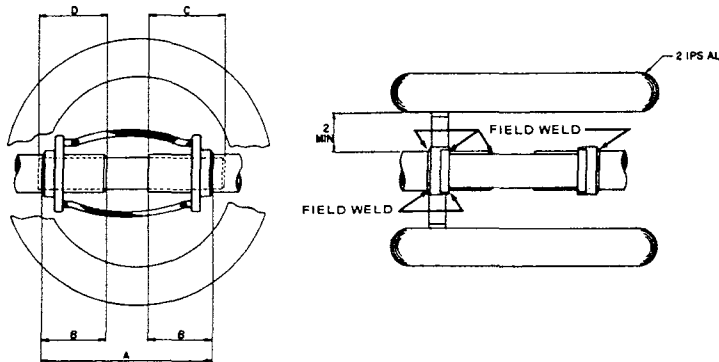
ROYAL SWITCHGEAR MANUFACTURING CO.

3995 Pine Lane SE • Bessemer, AL 35023 • (205) 426-4090 • FAX (205) 426-4095

We-8 POWER CONNECTORS

WELDING EXPANSION COUPLER

TYPE EWLW



WELDING EXPANSION COUPLER

CATALOG NO.		CONDUCTOR SIZE		DIMENSIONS (INCHES)			
W/ GUIDE	W/O GUIDE	IPS RUN	IPS TAP	A	B	C	D
90832	90839	2	2	10-1/4	3-7/8	7-1/2	5
90833	90840	2-1/2	2-1/2	10-1/4	3-7/8	7-1/2	5
90834	90841	3	3	11-1/4	4-1/8	9	6
90835	90842	3-1/2	3-1/2	11-1/4	4-1/8	9	6
90836	90843	4	4	12-1/4	4-3/8	10-1/2	7
90837	90844	5	5	12-1/4	4-3/8	10-1/2	7
90838	90845	6	6	12-1/4	4-3/8	10-1/2	7

NOTE:

1. For operation above 550 kv, special 4" IPS aluminum tubing corona rings must be used. Add suffix -XV to catalog number.
2. Dimensions A and B are mean dimensions for installation purposes.
3. Add suffix -EH to catalog number for extra heavy pipe.

Example for Ordering: #90834 Royal Type EWLW welding expansion coupler for 3" IPS aluminum run and tap.

ROYAL SWITCHGEAR MANUFACTURING CO.

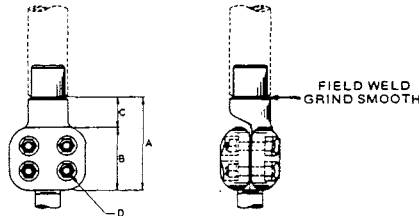
3995 Pine Lane SE • Bessemer, AL 35023 • (205) 426-4090 • FAX (205) 426-4095

POWER CONNECTORS

We-9

WELDING STUD CONNECTOR

TYPE EWST



CAT. NO.	CONDUCTOR SIZE		DIMENSIONS (INCHES)			
	STUD SIZE	IPS	A	B	C	D
91188	1-1/2 - 12	2	4-1/2	3-1/2	1	1/2
91189	1-1/2 - 12	2-1/2	4-1/2	3-1/2	1	1/2
91190	1-1/2 - 12	3	4-1/2	3-1/2	1	1/2
91191	1-1/2 - 12	3-1/2	4-3/4	3-1/2	1-1/4	1/2
91192	1-1/2 - 12	4	4-3/4	3-1/2	1-1/4	1/2
91193	2 - 12	2	4-1/2	3-1/2	1	1/2
91194	2 - 12	2-1/2	4-1/2	3-1/2	1	1/2
91195	2 - 12	3	4-1/2	3-1/2	1	1/2
91196	2 - 12	3-1/2	4-1/2	3-1/2	1	1/2
91197	2 - 12	4	4-3/4	3-1/2	1-1/4	1/2
91198	2 - 12	5	4-3/4	3-1/2	1-1/4	1/2
91199	2 - 12	6	5	3-1/2	1-1/2	1/2
91200	2-1/2	2	5	4	1	5/8
91201	2-1/2	2-1/2	5	4	1	5/8
91202	2-1/2	3	5	4	1	5/8
91203	2-1/2	3-1/2	5	4	1	5/8
91204	2-1/2	4	5	4	1	5/8
91205	2-1/2	5	5-1/4	4	1-1/4	5/8
91206	2-1/2	6	5-1/4	4	1-1/4	5/8
91207	3	2	5	4	1	5/8
91208	3	2-1/2	5	4	1	5/8
91209	3	3	5	4	1	5/8
91210	3	3-1/2	5	4	1	5/8
91211	3	4	5	4	1	5/8
91212	3	5	5-1/4	4	1-1/4	5/8
91213	3	6	5-1/4	4	1-1/4	5/8
91214	4	5	5-1/4	4	1-1/4	5/8
91215	4	6	5-1/4	4	1-1/4	5/8

We-Welding Fittings

Example for Ordering: #91193 Royal Type EWST welding stud connector for 2" - 12 threaded stud to 2" IPS aluminum.

Add suffix -EH to catalog number for extra heavy pipe.

The connector illustrated below is available on special order. For information, details, and prices, consult the factory or your Royal sales representative. Please describe your application, giving operating voltage and other pertinent details.



TYPE EWRT
Welding/Bolted Coupler

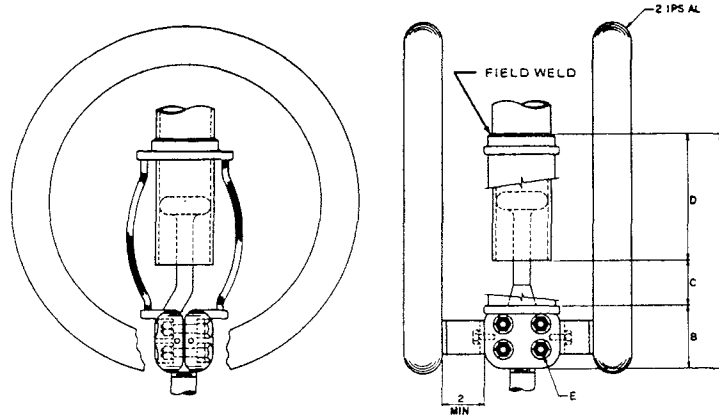
ROYAL SWITCHGEAR MANUFACTURING CO.

3995 Pine Lane SE • Bessemer, AL 35023 • (205) 426-4090 • FAX (205) 426-4095

We-10 POWER CONNECTORS

WELDING EXPANSION STUD CONNECTOR

TYPE ETWLS



CATALOG NO.		CONDUCTOR SIZE		DIMENSIONS (INCHES)				
W/GUIDE	W/O GUIDE	STUD SIZE	IPS	A	B	C	D	E
91048	91076	1-1/2 - 12	2	11-3/8	3-1/2	3	4-7/8	1/2
91049	91077	1-1/2 - 12	2-1/2	11-5/8	3-1/2	3	5-1/8	1/2
91050	91078	1-1/2 - 12	3	12-5/8	3-1/2	3-1/2	5-5/8	1/2
91051	91079	1-1/2 - 12	3-1/2	12-7/8	3-1/2	3-1/2	5-7/8	1/2
91052	91080	1-1/2 - 12	4	13-7/8	3-1/2	4	6-3/8	1/2
91053	91081	2 - 12	2	11-3/8	3-1/2	3	4-7/8	1/2
91054	91082	2 - 12	2-1/2	11-5/8	3-1/2	3	5-1/8	1/2
91055	91083	2 - 12	3	12-5/8	3-1/2	3-1/2	5-5/8	1/2
91056	91084	2 - 12	3-1/2	12-7/8	3-1/2	3-1/2	5-7/8	1/2
91057	91085	2 - 12	4	13-7/8	3-1/2	4	6-3/8	1/2
91058	91086	2 - 12	5	14-3/8	3-1/2	4	6-7/8	1/2
91059	91087	2 - 12	6	14-5/8	3-1/2	4	7-1/8	1/2
91060	91088	2-1/2 - 12	2	11-7/8	4	3	4-7/8	5/8
91061	91089	2-1/2 - 12	2-1/2	12-1/8	4	3	5-1/8	5/8
91062	91090	2-1/2 - 12	3	13-1/8	4	3-1/2	5-5/8	5/8
91063	91091	2-1/2 - 12	3-1/2	13-5/8	4	3-1/2	5-7/8	5/8
91064	91092	2-1/2 - 12	4	14-3/8	4	4	6-3/8	5/8
91065	91093	2-1/2 - 12	5	14-7/8	4	4	6-7/8	5/8
91066	91094	2-1/2 - 12	6	15-1/8	4	4	7-1/8	5/8
91067	91095	3 - 12	2	11-7/8	4	3	4-7/8	5/8
91068	91096	3 - 12	2-1/2	12-1/8	4	3	5-1/8	5/8
91069	91097	3 - 12	3	13-1/8	4	3-1/2	5-5/8	5/8
91070	91098	3 - 12	3-1/2	13-5/8	4	3-1/2	5-7/8	5/8
91071	91099	3 - 12	4	14-3/8	4	4	6-3/8	5/8
91072	91100	3 - 12	5	14-7/8	4	4	6-7/8	5/8
91073	91101	3 - 12	6	15-1/8	4	4	7-1/8	5/8
91074	91102	4 - 12	5	14-7/8	4	4	6-7/8	5/8
91075	91103	4 - 12	6	15-1/8	4	4	7-1/8	5/8

NOTE:

1. For operation above 550 kv, special 4" IPS aluminum-tubing corona rings must be used. Add suffix -XV to catalog number.
2. Dimensions A and D are mean dimensions for installation purposes.
3. Add suffix -EH to catalog number for extra heavy pipe.

Example for Ordering: #91054 Royal Type ETWLS welding expansion stud connector for 2" - 12 threaded stud to 2-1/2" IPS aluminum.

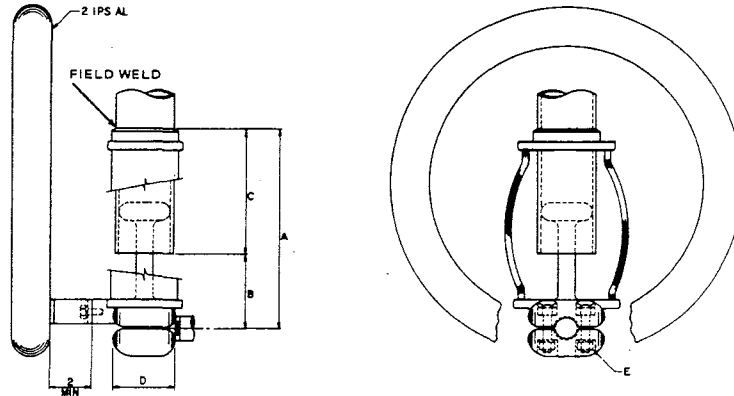
ROYAL SWITCHGEAR MANUFACTURING CO.

3995 Pine Lane SE • Bessemer, AL 35023 • (205) 426-4090 • FAX (205) 426-4095

POWER CONNECTORS We-11

WELDING EXPANSION STUD CONNECTOR

TYPE ETWLS-90



We-Welding Fittings

CATALOG NO.		CONDUCTOR SIZE		DIMENSIONS (INCHES)					
W/GUIDE	W/O GUIDE	STUD SIZE	IPS	A	B	C	D	E	
91104	91132	1-1/2 - 12	2	9-5/8	4-3/4	4-7/8	3-1/2	1/2	
91105	91133	1-1/2 - 12	2-1/2	9-7/8	4-3/4	5-1/8	3-1/2	1/2	
91106	91134	1-1/2 - 12	3	10-7/8	5-1/4	5-5/8	3-1/2	1/2	
91107	91135	1-1/2 - 12	3-1/2	11-1/8	5-1/4	5-7/8	3-1/2	1/2	
91108	91136	1-1/2 - 12	4	12-1/8	5-3/4	6-3/8	3-1/2	1/2	
91109	91137	2 - 12	2	9-7/8	5	4-7/8	3-1/2	1/2	
91110	91138	2 - 12	2-1/2	10-1/8	5	5-1/8	3-1/2	1/2	
91111	91139	2 - 12	3	11-1/8	5-1/2	5-5/8	3-1/2	1/2	
91112	91140	2 - 12	3-1/2	11-3/8	5-1/2	5-7/8	3-1/2	1/2	
91113	91141	2 - 12	4	12-3/8	6	6-3/8	3-1/2	1/2	
91114	91142	2 - 12	5	12-7/8	6	6-7/8	3-1/2	1/2	
91115	91143	2 - 12	6	13-1/8	6	7-1/8	3-1/2	1/2	
91116	91144	2-1/2 - 12	2	10-1/4	5-3/8	4-7/8	4	5/8	
91117	91145	2-1/2 - 12	2-1/2	10-5/8	5-3/8	5-1/8	4	5/8	
91118	91146	2-1/2 - 12	3	11-1/2	5-7/8	5-5/8	4	5/8	
91119	91147	2-1/2 - 12	3-1/2	11-3/4	5-7/8	5-7/8	4	5/8	
91120	91148	2-1/2 - 12	4	12-3/4	6-3/8	6-3/8	4	5/8	
91121	91149	2-1/2 - 12	5	13-1/4	6-3/8	6-7/8	4	5/8	
91122	91150	2-1/2 - 12	6	13-1/2	6-3/8	7-1/8	4	5/8	
91123	91151	3 - 12	2	10-1/2	5-5/8	4-7/8	4	5/8	
91124	91152	3 - 12	2-1/2	10-3/4	5-5/8	5-1/8	4	5/8	
91125	91153	3 - 12	3	11-3/4	6-1/8	5-5/8	4	5/8	
91126	91154	3 - 12	3-1/2	12	6-1/8	5-7/8	4	5/8	
91127	91155	3 - 12	4	13	6-5/8	6-3/8	4	5/8	
91128	91156	3 - 12	5	13-1/2	6-5/8	6-7/8	4	5/8	
91129	91157	3 - 12	6	13-3/4	6-5/8	7-1/8	4	5/8	
91130	91158	4 - 12	5	14	7-1/8	6-7/8	4	5/8	
91131	91159	4 - 12	6	14-1/4	7-1/8	7-1/8	4	5/8	

NOTE:

1. For operation above 550 kv, special 4" IPS aluminum-tubing corona rings must be used. Add suffix -XV to catalog number.
2. Dimensions A and C are mean dimensions for installation purposes.
3. Add suffix -EH to catalog number for extra heavy pipe.

Example for Ordering: #91105 Royal Type ETWLS-90 welding expansion stud connector for 1-1/2" - 12 threaded stud to 2-1/2" IPS aluminum.

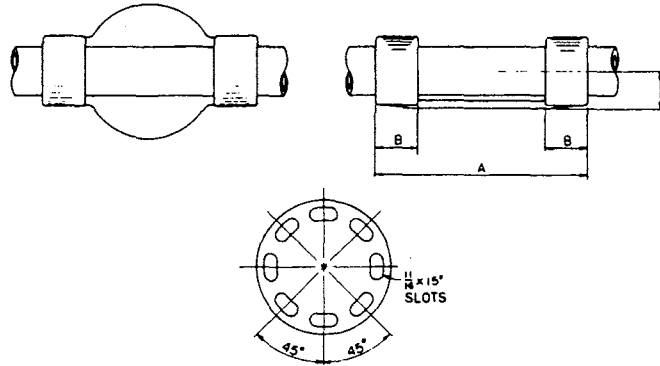
ROYAL SWITCHGEAR MANUFACTURING CO.

3995 Pine Lane SE • Bessemer, AL 35023 • (205) 426-4090 • FAX (205) 426-4095

We-12 POWER CONNECTORS

WELDING BUS SUPPORT FITTING

TYPE EWU (Nema Height)



CATALOG NO.	IPS	BOLT CIRCLE	DIMENSIONS (INCHES)		
			A	B	C
91041	2	5	10	2	2-3/4
91042	2-1/2	5	10-1/2	2-1/4	3-1/8
91043	3	5	11	2-1/2	3-5/8
91044	3-1/2	5	11-1/2	2-3/4	4
91045	4	5	12	3	4-1/2
91046	5	5	13	3-1/2	5
91047	6	5	14	4	5-1/2

Example for Ordering: #91041 Royal Type EWU-5 welding bus support fitting for 2" IPS aluminum to 5" B.C.

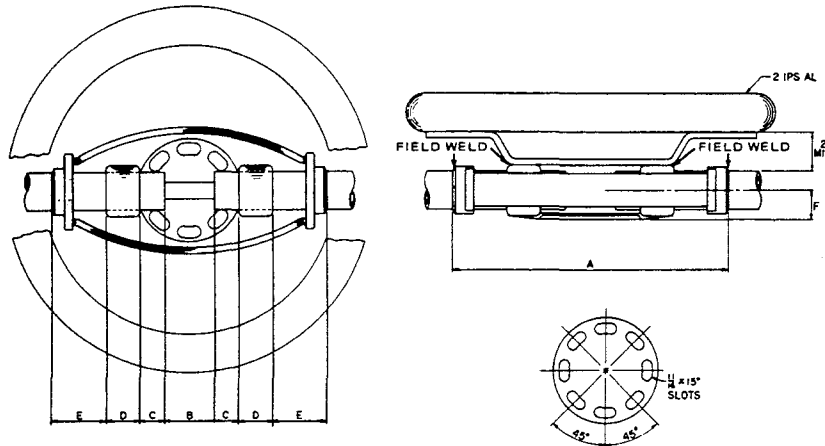
ROYAL SWITCHGEAR MANUFACTURING CO.

3995 Pine Lane SE • Bessemer, AL 35023 • (205) 426-4090 • FAX (205) 426-4095

POWER CONNECTORS We-13

WELDING EXPANSION BUS SUPPORT COUPLER

TYPE EWLWU-5 (Nema Height)



We-Welding Fittings

CAT. NO.	IPS RUN	BOLT CIRCLE	DIMENSIONS (INCHES)					
			A	B	C	D	E	F
90846	2	5	16-1/2	3	1-1/2	2	3-1/4	2-3/4
90847	2-1/2	5	17	3	1-1/2	2-1/4	3-1/4	3-1/8
90848	3	5	17-1/2	3	1-1/2	2-1/2	3-1/4	3-5/8
90849	3-1/2	5	18	3	1-1/2	2-3/4	3-1/4	4
90850	4	5	18-1/2	3	1-1/2	3	3-1/4	4-1/2
90851	5	5	19-1/2	3	1-1/2	3-1/2	3-1/4	5
90852	6	5	20-1/2	3	1-1/2	4	3-1/4	5-1/2

NOTE:

- For operation above 550 kv, special 4" IPS aluminum-tubing corona rings must be used. Add suffix -XV to catalog number.
- Dimensions A and B are mean dimensions for installation purposes.

Example for Ordering: #90846 Royal Type EWLWU-5 welding expansion bus support for 2" IPS aluminum.

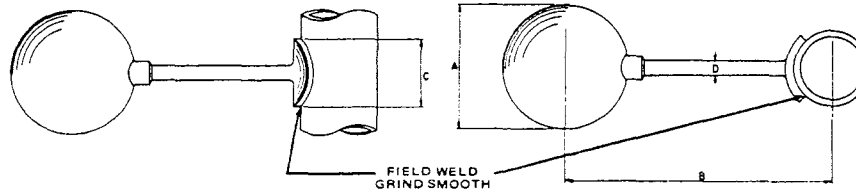
ROYAL SWITCHGEAR MANUFACTURING CO.

3995 Pine Lane SE • Bessemer, AL 35023 • (205) 426-4090 • FAX (205) 426-4095

We-14 POWER CONNECTORS

WELDING GROUND STUD

TYPE EWDDA



CATALOG NO.			DIMENSIONS (INCHES)					
500KV & UNDER	OVER 500KV	IPS	A		B		C	D
			500KV & UNDER	OVER 500KV	500KV & UNDER	OVER 500KV		
91174	91181	2	7-1/2	13	12-9/16	15-5/16	4	13/16
91175	91182	2-1/2	7-1/2	13	12-7/8	15-5/8	4	13/16
91176	91183	3	7-1/2	13	13-3/16	15-15/16	4	13/16
91177	91184	3-1/2	7-1/2	13	13-1/2	16-1/4	4	13/16
91178	91185	4	7-1/2	13	13-3/4	16-1/2	4	1-5/16
91179	91186	5	7-1/2	13	14-5/16	17-1/16	4	1-5/16
91180	91187	6	7-1/2	13	14-15/16	17-11/16	4	1-5/16

Example for Ordering: #91175 Royal Type EWDDA welding ground stud for 2-1/2" IPS aluminum.

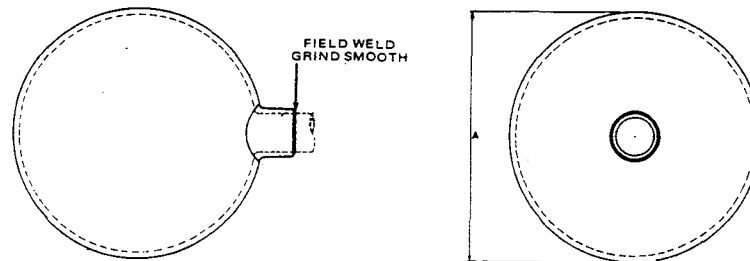
ROYAL SWITCHGEAR MANUFACTURING CO.

3995 Pine Lane SE • Bessemer, AL 35023 • (205) 426-4090 • FAX (205) 426-4095

POWER CONNECTORS We-15

CORONA END BELL

TYPE EA0B



CATALOG NO.			IPS	DIMENSIONS (INCHES)		
345KV	500KV	765KV		A 345KV	A 500KV	A 765KV
91293	91160	91167	2	7-1/2	13	16
91294	91161	91168	2-1/2	7-1/2	13	16
91295	91162	91169	3	7-1/2	13	16
91296	91163	91170	3-1/2	7-1/2	13	16
91297	91164	91171	4	7-1/2	13	16
91298	91165	91172	5	10	13	16
91299	91166	91173	6	10	13	16

Example for Ordering: No. 91162 Royal Type EA0B welding corona end bells for 3" IPS aluminum.

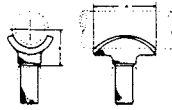
We-Welding Fittings

ROYAL SWITCHGEAR MANUFACTURING CO.

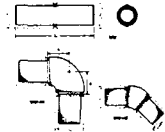
3995 Pine Lane SE • Bessemer, AL 35023 • (205) 426-4090 • FAX (205) 426-4095

We-16 POWER CONNECTORS

The welding fittings shown below may also be used for EHV applications. They are cataloged in detail in the Royal Catalog of regular high-voltage aluminum connectors, Section Wa at the page number given in parentheses. In each case, it is necessary that the weld be ground smooth for EHV use.



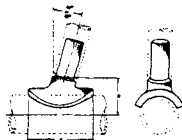
TYPE TWT Welding Tee Connector (See Page Wa-1)



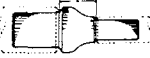
* TYPE WW-WW-90-WW-45 Welding Coupler (See Page Wa-18)



* TYPE WW-5 Welding Bus Support Coupler (See Page Wa-29)



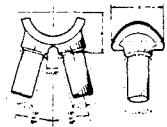
TYPE TWTA Welding Angle Tee Connector (See Page Wa-2)



* TYPE WRW Welding Reducer Coupler (See Page Wa-19)



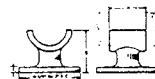
TYPE WV-5 Welding Bus Support Fitting (See Page Wa-31)



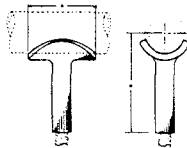
* TYPE TWTV Welding V-Tap Connector (See Page Wa-3)



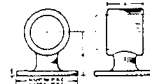
* TYPE WRC Welding End Connector (See Page Wa-22)



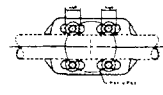
TYPE W-5 Welding Bus Support Fitting (See Page Wa-32)



TYPE TWCC Welding Compression Tee Connector (See Page Wa-8)



TYPE WE-5 Welding Bus Support Fitting (See Page Wa-26)



TYPE WZE-5 Welding Slide Bus Support Fitting (See Page Wa-33)

*Suffix EH must be added to Catalog Number when using extra heavy pipe (schedule 80)

ROYAL SWITCHGEAR MANUFACTURING CO.

3995 Pine Lane SE • Bessemer, AL 35023 • (205) 426-4090 • FAX (205) 426-4095