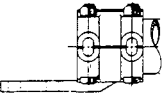
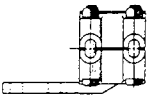
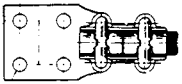
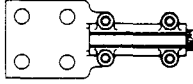
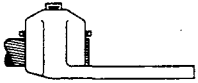
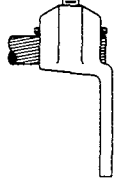
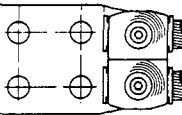
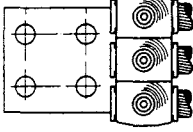
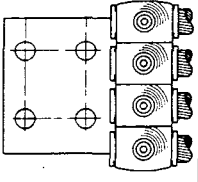
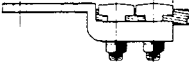
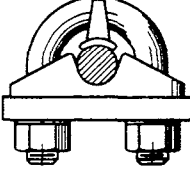
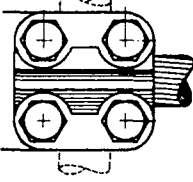

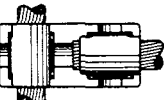
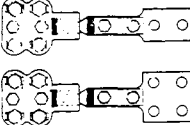


POWER CONNECTORS

TERMINAL LUGS PICTORAL INDEX SECTION Bb

 <p>Type RLP: RLP-45; RLP-90 Page Bb-1</p>	 <p>Type RLC: RLC-45; RLC-90 Page Bb-2</p>	 <p>Type DM: DM-45; DM-90 Page Bb-3</p>	 <p>Type RWE: RWE-45; RWE-90 Page Bb-4</p>
 <p>Type CTL Page Bb-5</p>	 <p>Type CTL-90 Page Bb-6</p>	 <p>Type CTL-2 Page Bb-7</p>	 <p>Type CTL-3 Page Bb-7</p>
 <p>Type CTL-4 Page Bb-7</p>	 <p>Type LCT Page Bb-8</p>	 <p>Type PRT Page Bb-9</p>	 <p>Type FCT Page Bb-9</p>
 <p>Type LCS Page Bb-10</p>	 <p>Type LCD Page Bb-10</p>	 <p>Type BXL Page Bb-11</p>	

Bb-Terminal

ROYAL SWITCHGEAR MANUFACTURING CO.

3995 Pine Lane SE • Bessemer, AL 35023 • (205) 426-4090 • FAX (205) 426-4095

POWER CONNECTORS **Bb-1**

TERMINAL LUG

TYPE RLP TYPE RLP-45 TYPE RLP-90

TUBE TO FLAT SURFACE

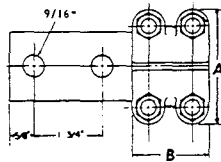


Fig. 1

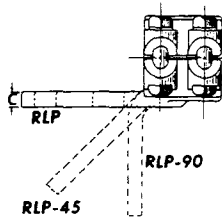
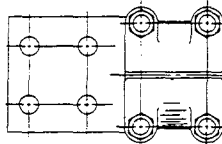


Fig. 2



Catalog Numbers			Conductor Size		Fig. No.	Max. Dimensions in Inches			Bolt Size
RLP	RLP-45°	RLP-90°	Tube Run	Pad (Inches)		A	B	C	
1692	6214	6200	1/2	2 x 3	1	2 9/16	2 3/8	11/32	1/2
17846	17861	17878	1/2	3 x 3	2	2 9/16	2 3/8	11/32	1/2
1694	6216	6202	3/4	2 x 3	1	2 13/16	2 3/8	3/8	1/2
17847	17862	17879	3/4	3 x 3	2	2 13/16	2 3/8	3/8	1/2
1695	6217	6203	1	2 x 3	1	3	2 3/8	3/8	1/2
17848	17863	17880	1	3 x 3	2	3	2 3/8	3/8	1/2
17849	17864	17881	1	4 x 4	2	3	2 3/8	3/8	1/2
1696	6218	6204	1 1/4	2 x 3	1	3 1/4	2 1/2	1/2	1/2
1697	6219	6205	1 1/4	3 x 3	2	3 1/4	2 1/2	3/8	1/2
17850	17865	17882	1 1/4	4 x 4	2	3 1/4	2 1/2	3/8	1/2
1698	6220	6206	1 1/2	2 x 3	1	3 19/32	2 3/4	11/16	1/2
1699	6221	6207	1 1/2	3 x 3	2	3 19/32	2 3/4	9/16	1/2
17851	17866	17883	1 1/2	4 x 4	2	3 19/32	2 3/4	7/16	1/2
1700	6222	6208	2	2 x 3	1	4 1/8	3	7/8	1/2
1701	6223	6209	2	3 x 3	2	4 1/8	3	13/16	1/2
17852	17867	17884	2	4 x 4	2	4 1/8	3	5/8	1/2
17853	17868	17885	2 1/2	2 x 3	1	4 5/8	3 1/4	7/8	1/2
1702	6224	6210	2 1/2	3 x 3	2	4 5/8	3 1/4	13/16	1/2
17854	17869	17886	2 1/2	4 x 4	2	4 5/8	3 1/4	5/8	1/2
17855	17870	17887	3	2 x 3	1	5 11/16	3 1/2	7/8	5/8
1703	6225	6211	3	3 x 3	2	5 11/16	3 1/2	13/16	5/8
17856	17871	17888	3	4 x 4	2	5 11/16	3 1/2	5/8	5/8
17857	17872	17889	3 1/2	2 x 3	1	6 1/8	3 3/4	7/8	5/8
1913	17873	17890	3 1/2	3 x 3	2	6 1/8	3 3/4	13/16	5/8
17858	17874	17891	3 1/2	4 x 4	2	6 1/8	3 3/4	5/8	5/8
17859	17875	17892	4	2 x 3	1	6 5/8	4	1	5/8
1914	17876	17893	4	3 x 3	2	6 5/8	4	7/8	5/8
17860	17877	17894	4	4 x 4	2	6 5/8	4	11/16	5/8

Example for Ordering: - #6223 Royal Type RLP-45° Terminal Lugs, 2" IPS Tube Fig. 2.

Silicon Bronze bolts, nuts and lockwashers are standard.

Bolt heads are nested between ears on the casting which prevents the bolt head from turning, and permits one wrench installation.

Certified dimension prints will be furnished on request.

Special or unlisted sizes readily furnished.

NOTE: 1/2" bolts are furnished as STANDARD for 1/2" IPS tubing and larger, and 500 MCM cable and larger.

NOTE: This connector will meet or exceed NEMA requirements for Class CF-1; Pub. SG-1.

Bb-Terminal

ROYAL SWITCHGEAR MANUFACTURING CO.

3995 Pine Lane SE • Bessemer, AL 35023 • (205) 426-4090 • FAX (205) 426-4095

Bb-2 POWER CONNECTORS

TERMINAL LUG TYPE RLC TYPE RLC-45 TYPE RLC-90

CABLE TO FLAT SURFACE

Catalog Numbers			Conductor Size		Fig. No.	Max. Dimensions in Inches			Bolt Size
RLC	RLC-45°	RLC-90°	Cable Run	Pad (Inches)		A	B	C	
1705	6322	6294	#6 STR.	2 x 3	1	1 11/16	2	1/4	3/8
1707	6324	6E96	#4 STR.	2 x 3	1	1 11/16	2	1/4	3/8
1709	6326	6298	#2 STR.	2 x 3	1	1 11/16	2	1/4	3/8
1711	6328	6300	#1 STR.	2 x 3	1	1 11/16	2	1/4	3/8
1713	6330	6302	1/0 STR.	2 x 3	1	1 11/16	2	1/4	3/8
17895	17907	17922	1/0 STR.	3 x 3	2	1 11/16	2	1/4	3/8
1715	6332	6304	2/0 STR.	2 x 3	1	1 11/16	2	1/4	3/8
17896	17908	17923	2/0 STR.	3 x 3	2	1 11/16	2	1/4	3/8
1717	6334	6306	3/0 STR.	2 x 3	1	1 11/16	2	1/4	3/8
17897	17909	17924	3/0 STR.	3 x 3	2	1 11/16	2	1/4	3/8
1719	6336	6308	4/0 STR.	2 x 3	1	1 13/16	2	1/4	3/8
17898	17910	17925	4/0 STR.	3 x 3	2	1 13/16	2	1/4	3/8
1721	6338	6310	250 MCM	2 x 3	1	1 15/16	2	1/4	3/8
17899	17911	17926	250 MCM	3 x 3	2	1 15/16	2	1/4	3/8
1723	6340	6312	300 MCM	2 x 3	1	2	2	3/8	3/8
17900	17912	17927	300 MCM	3 x 3	2	2	2	3/8	3/8
1727	17913	17928	400 MCM	2 x 3	1	2 1/8	2 1/4	3/8	3/8
17901	17914	17929	400 MCM	3 x 3	2	2 1/8	2 1/4	3/8	3/8
1728	6343	6315	500 MCM	2 x 3	1	2 1/8	2 1/4	3/8	1/2
1729	6344	6316	500 MCM	3 x 3	2	2 1/8	2 1/4	3/8	1/2
1730	17915	17930	600 MCM	2 x 3	1	2 1/8	2 1/4	1/2	1/2
1731	17916	17931	600 MCM	3 x 3	2	2 1/8	2 1/4	1/2	1/2
1732	6345	6317	750 MCM	2 x 3	1	2 5/8	2 3/4	1/2	1/2
1734	6346	6318	750 MCM	3 x 3	2	2 5/8	2 3/4	1/2	1/2
1735	6347	6319	1000 MCM	2 x 3	1	2 3/4	3	1/2	1/2
1736	6348	6320	1000 MCM	3 x 3	2	2 3/4	3	1/2	1/2
17902	17917	17932	1250 MCM	2 x 3	1	3	3	1/2	1/2
1918	1930	1924	1250 MCM	3 x 3	2	3	3	1/2	1/2
17903	17918	17933	1500 MCM	2 x 3	1	3 3/16	3	1/2	1/2
1919	1931	1925	1500 MCM	3 x 3	2	3 3/16	3	1/2	1/2
1921	1933	1927	2000 MCM	3 x 3	2	3 3/8	3	1/2	1/2
17904	17919	17934	2000 MCM	4 x 4	2	3 3/8	3	1/2	1/2
1922	1934	1928	2500 MCM	3 x 3	2	3 9/16	3	5/8	5/8
17905	17920	17935	2500 MCM	4 x 4	2	3 9/16	3	5/8	5/8
1923	1935	1929	3000 MCM	3 x 3	2	3 3/4	3 1/4	5/8	5/8
17906	17921	17936	3000 MCM	4 x 4	2	3 3/4	3 1/4	5/8	5/8

Example for Ordering: - #17932 Royal Type RLC-90° Terminal Lugs, 1250 MCM Cable, Fig. 1.

Silicon Bronze bolts, nuts and lockwashers are standard.

Bolt heads are nested between ears on the casting which prevents the bolt head from turning, and permits one wrench installation.

Certified dimension prints will be furnished on request.

Special or unlisted sizes readily furnished.

NOTE: 1/2" bolts are furnished as STANDARD for 1/2" IPS tubing and larger, and 500 M cable and larger.

NOTE: This connector will meet or exceed NEMA requirements for Class CF-1; Pub. SG

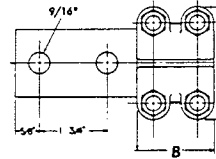


Fig. 1

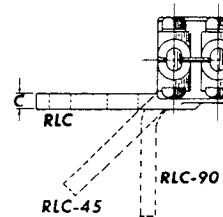
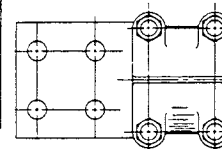


Fig. 2



ROYAL SWITCHGEAR MANUFACTURING CO.

3995 Pine Lane SE • Bessemer, AL 35023 • (205) 426-4090 • FAX (205) 426-4095

TERMINAL LUG TYPE DM TYPE DM-45 TYPE DM-90

CABLE TO FLAT SURFACE

Catalog Numbers			Conductor Range		Pad (Inches)	Fig. No.	Max. Dimensions in Inches			Bolt Size
DM	DM-45	DM-90	Min.	Max.			A	B	C	
17937	17953	17971	#6 SOL.	2/0 STR.	2 x 3	1	2 1/16	2 1/2	1/4	3/8
17938	17954	17972	#1 SOL.	4/0 STR.	2 x 3	1	2 1/4	2 1/2	1/4	3/8
17939	17955	17973	1/0 SOL.	300 MCM	2 x 3	1	2 3/8	3	1/4	3/8
17940	17956	17974	1/0 SOL.	300 MCM	3 x 3	2	2 3/8	3	1/4	3/8
17941	17957	17975	300 MCM	500 MCM	2 x 3	1	3	3	3/8	1/2
17942	17958	17976	300 MCM	500 MCM	3 x 3	2	3	3	3/8	1/2
17943	17959	17977	500 MCM	800 MCM	2 x 3	1	3 1/16	3 1/2	1/2	1/2
17944	17960	17978	500 MCM	800 MCM	3 x 3	2	3 1/16	3 1/2	3/8	1/2
17945	17961	17979	500 MCM	800 MCM	4 x 4	2	3 1/16	3 1/2	1/2	1/2
17946	17962	17980	750 MCM	1000 MCM	2 x 3	1	3 5/8	4	3/8	1/2
17947	17963	17981	750 MCM	1000 MCM	3 x 3	2	3 5/8	4	1/2	1/2
17948	17964	17982	750 MCM	1000 MCM	4 x 4	2	3 5/8	4	1/2	1/2
17949	17965	17983	1000 MCM	1500 MCM	2 x 3	1	3 7/8	4	1/2	1/2
17950	17966	17984	1000 MCM	1500 MCM	3 x 3	2	3 7/8	4	1/2	1/2
6357	17967	17985	1000 MCM	1500 MCM	4 x 4	2	3 7/8	4	1/2	1/2
17951	17968	17986	1500 MCM	2000 MCM	2 x 3	1	3 7/8	4	1/2	1/2
17952	17969	17987	1500 MCM	2000 MCM	3 x 3	2	3 7/8	4	1/2	1/2
1937	17970	17988	1500 MCM	2000 MCM	4 x 4	2	3 7/8	4	1/2	1/2

Example for Ordering: - #6357 Royal Type DM Terminal Lugs 1000 to 1500 MCM Cable.

Silicon Bronze bolts, nuts and lockwashers are standard.
Bolt heads are nested between ears on the casting which prevents the bolt head from turning, and permits one wrench installation.
Certified dimension prints will be furnished on request.
Special or unlisted sizes readily furnished.
NOTE: 1/2" bolts are furnished as STANDARD for 1/2" IPS tubing and larger, and 500 MCM cable and larger.
Independent keepers assembled captive on "U" bolts provide highest contact pressure.

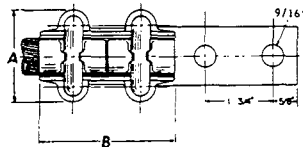


Fig. 1

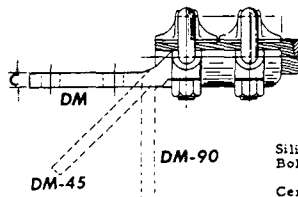
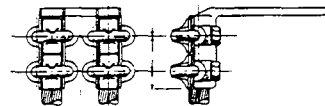
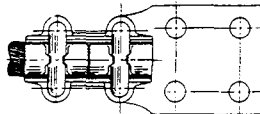
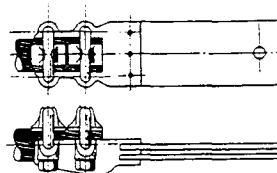


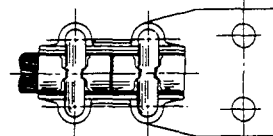
Fig. 2



Type DM-2
Dwg. 11947-B



Type DM Special
Dwg. 11915-B



Type DM Special
Dwg. 5716-A

These Special Type DM Terminals can be supplied in any of the conductor ranges listed above.

Bb-Terminal

Bb-4 POWER CONNECTORS

TERMINAL LUG

TYPE RWE TYPE RWE-45 TYPE RWE-90

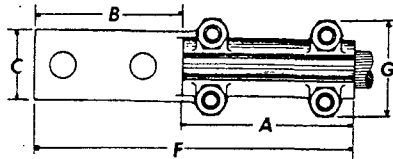


Fig. 1

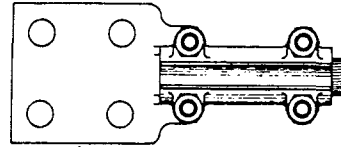
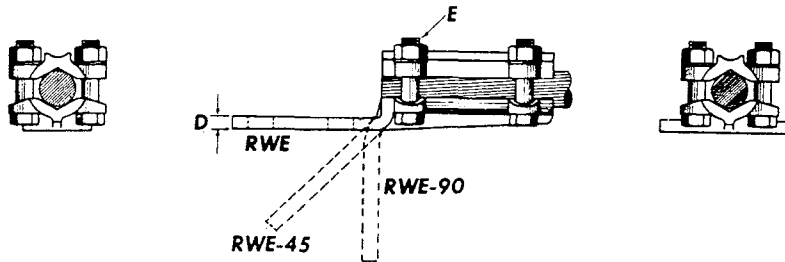


Fig. 2



CABLE TO FLAT SURFACE

Catalog Numbers			Cable Range	Cable Dia.	Fig. No.	Max. Dimensions in Inches										
RWE	RWE-45°	RWE-90°				A	B	C	D	E	F	G				
13603	18004	18012	#6 SOL- 250 MCM	.162-.575	1	2	1/2	3	1/4	1	1/2	1/4	3/8	6	2	
13607	18005	18013	#6 SOL- 250 MCM	.162-.575	2	2	1/2	3	1/4	3	1/4	3/8	6	1/4	2	
13604	18006	18014	1/0 SOL- 500 MCM	.325-.814	1	3	3/4	3	1/4	1	1/2	3/8	3/8	7	1/4	2
13608	18007	18015	1/0 SOL- 500 MCM	.325-.814	2	3	3/4	3	1/4	3	1/4	3/8	7	1/4	2	
13605	18008	18016	4/0 SOL-1000 MCM	.460-1.152	1	4	1/2	3	1/4	1	1/2	7/16	1/2	7	1/2	2
13609	18009	18017	4/0 SOL-1000 MCM	.460-1.152	2	4	1/2	3	1/4	3	3/8	1/2	7	1/2	2	
13246	18010	18018	500-2000 MCM	.814-1.631	1	5	1/4	3	1/4	1	1/2	1/2	8	3/4	3	
13610	18011	18019	500-2000 MCM	.814-1.631	2	5	1/4	3	1/4	3	1/2	1/2	8	3/4	3	

Example for Ordering: - #13608 Royal Type RWE Terminal Lugs 1/0-500 MCM Fig. 2.

The four bolt reversible clamp provides a wide cable range.

Silicon Bronze bolts, nuts and lockwashers are standard.

Bolt heads are nested between ears on the casting which prevents the bolt head from turning, and permits one wrench installation.

Certified dimension prints will be furnished on request.

Special or unlisted sizes readily furnished.

NOTE: 1/2" bolts are furnished as STANDARD for 1/2" IPS tubing and larger, and 500 MCM cable and larger.

ROYAL SWITCHGEAR MANUFACTURING CO.

3995 Pine Lane SE • Bessemer, AL 35023 • (205) 426-4090 • FAX (205) 426-4095

POWER CONNECTORS Bb-5

TERMINAL LUG

TYPE CTL

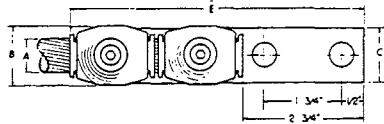


FIG. 1



FIG. 2

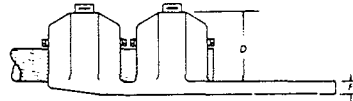


FIG. 3

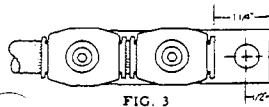


FIG. 4



HEAVY DUTY

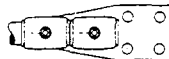


FIG. 5

HEAVY DUTY

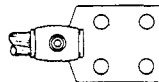


FIG. 6

CABLE TO FLAT SURFACE

Catalog No.	Conductor Range	Fig. No.	Dimensions in Inches					
			A	B	C	D	E	F
7959	#6 SOL.	1	MIN.	13/16	1 1/4	1 1/4	5 3/8	1/4
7960	TO	2	.1620	13/16	1 1/4	1 1/4	3 15/16	1/4
7961	2/C STR.	3	MAX.	13/16	1 1/4	1 1/4	3 7/8	1/4
7962		4	.4190	13/16	1 1/4	1 1/4	2 7/16	1/4
7963	1/0 SOL.	1	MIN.	1 1/8	1 1/4	1 11/16	5 7/8	5/16
7964	TO	2	.3250	1 1/8	1 1/4	1 11/16	4 3/16	5/16
7965	350 MCM	3	MAX.	1 1/8	1 1/4	1 11/16	4 3/8	5/16
7966		4	.6818	1 1/8	1 1/4	1 11/16	2 11/16	5/16
7967	250 MCM	1	MIN.	1 1/4	1 1/4	2	6 3/4	5/16
7968	TO	2	.5754	1 1/4	1 1/4	2	4 5/8	5/16
7969	500 MCM	3	MAX.	1 1/4	1 1/4	2	5 1/4	5/16
7970		4	.8154	1 1/4	1 1/4	2	3 1/8	5/16
7971		1	MIN.	1 9/16	1 1/4	2 1/16	7 1/4	3/8
7972	400 MCM	2	.7280	1 9/16	1 1/4	2 1/16	4 7/8	3/8
7973	TO	3	MAX.	1 9/16	1 1/4	2 1/16	5 3/4	3/8
7974	750 MCM	4	.9990	1 9/16	1 1/4	2 1/16	3 3/8	3/8
12008		5		1 9/16	3	2 1/16	7 1/2	3/8
12010		6		1 9/16	3	2 1/16	5 3/8	3/8
7975	600 MCM	1	MIN.	1 3/4	1 1/4	2 1/2	7 3/4	3/8
7976	TO	2	.8928	1 3/4	1 1/4	2 1/2	5 5/8	3/8
7977	1000 MCM	3	MAX.	1 3/4	1 1/4	2 1/2	6 1/4	3/8
7978		4	1.1529	1 3/4	1 1/4	2 1/2	4 1/8	3/8
12011		5		1 3/4	3	2 1/2	8	1/2
12013		6		1 3/4	3	2 1/2	5 3/4	1/2
12014	1000 MCM	5	MIN.	2	3	2 3/4	8 1/2	5/8
12016	TO	6	MAX.	2	3	2 3/4	6 1/8	5/8
12017	1500 MCM	5	MIN.	2 1/4	3	2 7/8	8 1/2	5/8
12019	TO	6	MAX.	2 1/4	3	2 7/8	6 1/4	5/8
	2000 MCM		1.631					

Example for ordering: - #7965 Royal Type CTL Terminal Lugs 1/0 - 350 MCM Cable. The TYPE CTL Terminals were designed primarily to provide a lug whose contours would permit easy taping and a smooth neat finish. Taping is particularly important on current transformer work.

The Allen type set screw with recessed head and S.A.E. thread will develop a pressure on the cable four to six times that of a house jack for the same effort.

Bb-Terminal

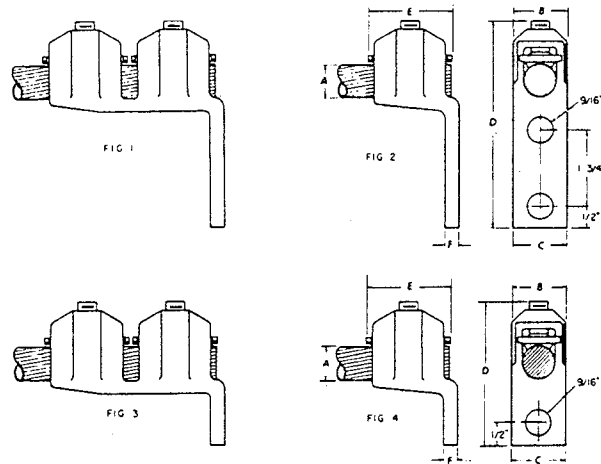
ROYAL SWITCHGEAR MANUFACTURING CO.

3995 Pine Lane SE • Bessemer, AL 35023 • (205) 426-4090 • FAX (205) 426-4095

Bb-6 POWER CONNECTORS

TERMINAL LUG

TYPE CTL-90°



CABLE TO FLAT SURFACE

Catalog No.	Conductor Range	Fig. No.	Dimensions in Inches					
			A	B	C	D	E	F
1940	#6 SOL.	1	MIN.	13/16	1 1/4	4	2 5/8	1/4
1941		2	.1620	13/16	1 1/4	4	1 3/16	1/4
1942		3	MAX.	13/16	1 1/4	2 1/2	2 5/8	1/4
1943	2/0 STR.	4	.4190	13/16	1 1/4	2 1/2	1 3/16	1/4
1944		1	MIN.	1 1/8	1 1/4	4 7/16	3 1/8	5/16
1945	1/0 SOL.	2	.3250	1 1/8	1 1/4	4 7/16	1 7/16	5/16
1946		3	MAX.	1 1/8	1 1/4	2 15/16	3 1/8	5/16
1947	350 MCM	4	.6818	1 1/8	1 1/4	2 15/16	1 7/16	5/16
1948		1	MIN.	1 1/4	1 1/4	4 3/4	4	5/16
1949	250 MCM	2	.5754	1 1/4	1 1/4	4 3/4	1 7/8	5/16
1950		3	MAX.	1 1/4	1 1/4	2 15/16	4	5/16
1951	500 MCM	4	.8154	1 1/4	1 1/4	2 15/16	1 7/8	5/16
1952		1	MIN.	1 9/16	1 1/4	4 13/16	4 1/2	3/8
1953	400 MCM	2	.7280	1 9/16	1 1/4	4 13/16	2 1/8	3/8
1954		3	MAX.	1 9/16	1 1/4	3 5/16	4 1/2	3/8
1955	750 MCM	4	.9990	1 9/16	1 1/4	3 5/16	2 1/8	3/8
1956		1	MIN.	1 3/4	1 1/4	5 1/4	5	3/8
1957	600 MCM	2	.8928	1 3/4	1 1/4	5 1/4	2 7/8	3/8
1958		3	MAX.	1 3/4	1 1/4	3 3/4	5	3/8
1959	1000 MCM	4	1.1529	1 3/4	1 1/4	3 3/4	2 7/8	3/8

Example for Ordering: - #1952 Royal Type CTL-90° Terminal Lugs 400-750 MCM Cable.

ROYAL SWITCHGEAR MANUFACTURING CO.

3995 Pine Lane SE • Bessemer, AL 35023 • (205) 426-4090 • FAX (205) 426-4095

POWER CONNECTORS Bb-7

TERMINAL LUG

TYPE CTL-2

CABLE TO FLAT SURFACE

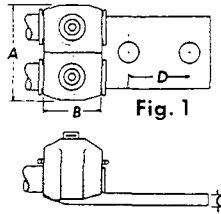


Fig. 1

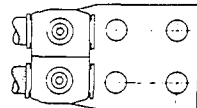


Fig. 2

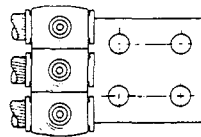


Fig. 3

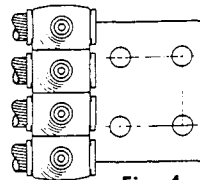


Fig. 4

Catalog No.	Conductor Range		Pad (Inches)	Fig. No.	Max. Dimensions in Inches			
	Min.	Max.			A	B	C	D
18020	#6 SOL.	2/0 STR.	2 x 3	1	2	1 1/4	1/4	1 3/4
18021	#6 SOL.	2/0 STR.	3 x 3	2	2	1 1/4	1/4	1 3/4
18022	1/0 SOL.	350 MCM	2 x 3	1	2 3/4	1 3/4	5/16	1 3/4
18023	1/0 SOL.	350 MCM	3 x 3	2	2 3/4	1 3/4	5/16	1 3/4
18024	250 MCM	500 MCM	2 x 3	1	3 1/8	1 3/4	5/16	1 3/4
18025	250 MCM	500 MCM	3 x 3	2	3 1/8	1 3/4	5/16	1 3/4
18026	400 MCM	750 MCM	2 x 3	1	3 3/4	2 1/4	3/8	1 3/4
18027	400 MCM	750 MCM	3 x 3	2	3 3/4	2 1/4	3/8	1 3/4
18028	600 MCM	1000 MCM	2 x 3	1	4	2 3/8	3/8	1 3/4
18029	600 MCM	1000 MCM	3 x 3	2	4	2 3/8	3/8	1 3/4

TYPE CTL-3

Catalog No.	Conductor Range		Pad (Inches)	Fig. No.	Max. Dimensions in Inches			
	Min.	Max.			A	B	C	D
18030	#6 SOL.	2/0 STR.	3 x 3	3	3	1 1/4	1/4	1 3/4
18031	1/0 SOL.	350 MCM	3 x 3	3	3 3/4	1 3/4	1/4	1 3/4
18032	250 MCM	500 MCM	3 x 3	3	4 1/4	1 3/4	3/8	1 3/4
18033	400 MCM	750 MCM	3 x 3	3	5 1/2	2 1/4	3/8	1 3/4
18034	600 MCM	1000 MCM	3 x 3	3	6	2 3/8	3/8	1 3/4

TYPE CTL-4

Catalog No.	Conductor Range		Pad (Inches)	Fig. No.	Max. Dimensions in Inches			
	Min.	Max.			A	B	C	D
18035	#6 SOL.	2/0 STR.	4 x 4	4	4	1 1/4	5/16	1 3/4
18036	1/0 SOL.	350 MCM	4 x 4	4	4 3/4	1 3/4	5/16	1 3/4
18037	250 MCM	500 MCM	4 x 4	4	5 5/8	1 3/4	3/8	1 3/4
18038	400 MCM	750 MCM	4 x 4	4	7	2 1/4	1/2	1 3/4
18039	600 MCM	1000 MCM	4 x 4	4	7 1/2	2 3/8	1/2	1 3/4

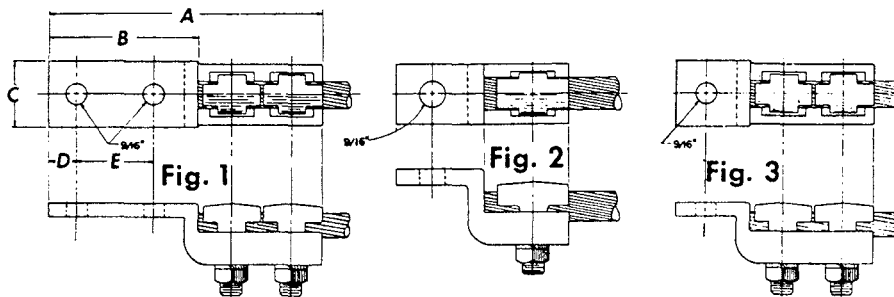
Bb-Terminal

ROYAL SWITCHGEAR MANUFACTURING CO.

3995 Pine Lane SE • Bessemer, AL 35023 • (205) 426-4090 • FAX (205) 426-4095

Bb-8 POWER CONNECTORS

TERMINAL LUG TYPE LCT



CABLE TO FLAT SURFACE

Catalog No.	Conductor Range		Fig. No.	Dimensions in Inches				
	Min.	Max.		A	B	C	D	E
12575	#12 SOL.	#3 STR.	1	4 1/2	3	1 1/2	5/8	1 3/4
12576	#12 SOL.	#3 STR.	2	5	3	1 1/2	5/8	1 3/4
12577	#12 SOL.	#3 STR.	3	3 1/2	2	1 1/2	3/4	.
12578	#10 SOL.	1/0 STR.	1	4 1/2	3	1 1/2	5/8	1 3/4
12579	#10 SOL.	1/0 STR.	2	6	3	1 1/2	5/8	1 3/4
12580	#10 SOL.	1/0 STR.	3	3 3/4	2	1 1/2	3/4	.
12581	#8 SOL.	4/0 STR.	1	4 7/8	3	1 1/2	5/8	1 3/4
12582	#8 SOL.	4/0 STR.	2	6 3/16	3	1 1/2	5/8	1 3/4
12583	#8 SOL.	4/0 STR.	3	3 7/8	2	1 1/2	3/4	.
12584	#2 SOL.	350 MCM	1	5	3	1 1/2	5/8	1 3/4
12585	#2 SOL.	350 MCM	2	6 1/4	3	1 1/2	5/8	1 3/4
12586	#2 SOL.	350 MCM	3	4	2	1 1/2	3/4	.
12587	1/0 SOL.	500 MCM	1	5 1/4	3	1 1/2	5/8	1 3/4
12588	1/0 SOL.	500 MCM	2	6 3/8	3	1 1/2	5/8	1 3/4
12589	1/0 SOL.	500 MCM	3	4 1/4	2	1 1/2	3/4	.

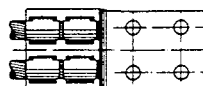
Example for Ordering: - #12585 Royal Type LCT Terminal Lug #2 Sol. - 350 MCM Cable.

The Types LCT-2 and LCT-3 shown can be furnished in the same conductor ranges as listed above.

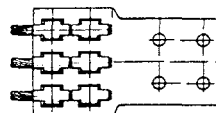
Silicon Bronze bolts, nuts and lockwashers are standard.

Certified dimension prints will be furnished on request.

NOTE: 1/2" bolts are furnished as STANDARD for 1/2" IPS tubing and larger, and 500 MCM cable and larger.



LCT-2 Special



LCT-3 Special

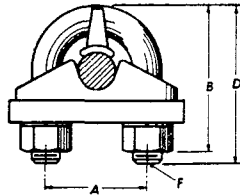
ROYAL SWITCHGEAR MANUFACTURING CO.

3995 Pine Lane SE • Bessemer, AL 35023 • (205) 426-4090 • FAX (205) 426-4095

POWER CONNECTORS **Bb-9**

TERMINAL LUG

TYPE PRT



CABLE TO FLAT SURFACE

Catalog No.	Conductor Range		Dimensions in Inches					
	Min.	Max.	A	B	C	D	E	F
15890	#6 SOL.	2/0 STR.	1 3/4	2 1/2	2 3/4	2 7/8	1 9/16	1/2
15889	1/0 SOL.	300 MCM	1 3/4	2 11/16	2 3/4	2 7/8	1 9/16	1/2
15891	300 MCM	500 MCM	1 3/4	2 7/8	2 3/4	2 7/8	1 9/16	1/2
15892	500 MCM	800 MCM	1 3/4	3 1/16	2 3/4	3 3/16	1 9/16	1/2
15893	750 MCM	1000 MCM	1 3/4	3 3/16	2 3/4	3 3/16	1 9/16	1/2

Example for Ordering: - #15892 Royal Type PRT Terminal Lug 500-800 MCM Cable.

The Type PRT Lug is a versatile design permitting many applications on standard NEMA 1-3/4" terminal pad drilling.

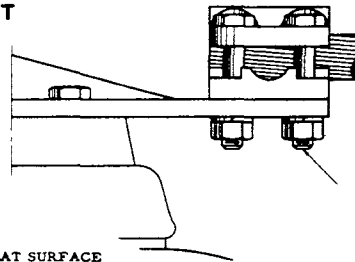
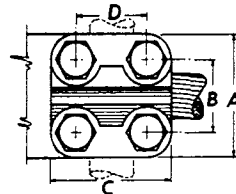
Independent keepers assembled captive on "U" bolts provide highest contact pressure.

TYPICAL APPLICATIONS:

- TERMINATING "IN LINE" ON SWITCH TERMINAL PAD.
- 90 DEGREE TAKE OFF FROM SWITCH TERMINAL PAD.
- CONVERTING TYPE RG. BAR STUD CONNECTOR TO CABLE BY USE OF TYPE PRT.

Bb-Terminal

TYPE FCT



CABLE-TUBE TO FLAT SURFACE

Catalog No.	Conductor Size		Max. Dimensions in Inches				
	Cable	Tube (IPS)	A	B	C	D	E
15688	#6- 850 MCM	1/4 - 3/4	3	1 3/4	3	1 3/4	1/2
18003	850-1250 MCM	1	3	1 3/4	3	1 3/4	1/2

Example for Ordering: - #18003 Royal Type FCT Terminal Lug 850-1250 MCM Cable.

This four bolt clamp permits a wide range of conductors, tube or cable. It is widely used on Power Switching Equipment. Can be rotated to permit entrance at 90°.

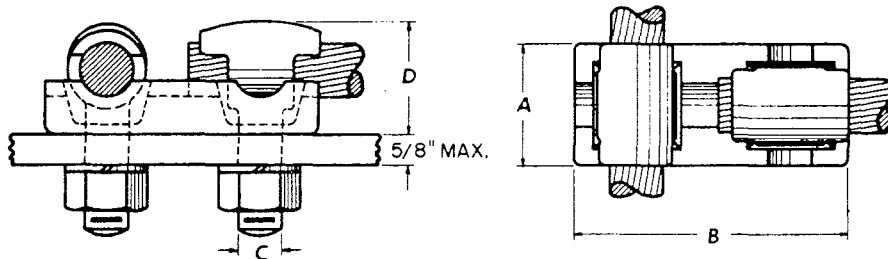
ROYAL SWITCHGEAR MANUFACTURING CO.

3995 Pine Lane SE • Bessemer, AL 35023 • (205) 426-4090 • FAX (205) 426-4095

Bb-10 POWER CONNECTORS

CABLE CONNECTORS

TYPE LCD



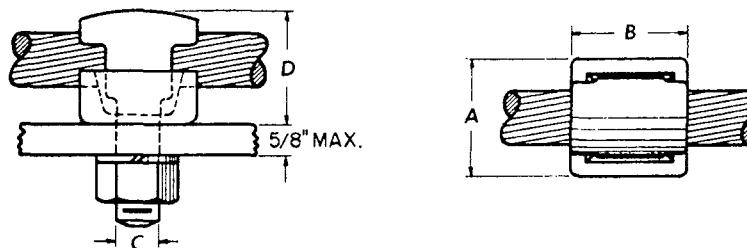
Catalog No.	Conductor Range		Dimensions in Inches			
	Min.	Max.	A	B	C	D
12216	#12 SOL.	#3 STR.	1	2 3/4	1/2	1 3/16
12219	#10 SOL.	1/0 STR.	1 1/4	3	1/2	1 3/8
12220	#8 SOL.	4/0 STR.	1 3/8	3 1/8	1/2	1 3/8
12221	#2 SOL.	350 MCM	1 1/2	3 1/4	1/2	1 1/2
12222	1/0 SOL.	500 MCM	1 5/8	3 3/8	1/2	1 1/2
12224	300 MCM	750 MCM	1 3/4	3 1/2	1/2	1 1/2
12226	500 MCM	1000 MCM	1 3/4	3 1/2	1/2	1 7/8

Example for Ordering: - #12220 Royal Type LCD cable connector 1/0 solid to 4/0 strand.

Types LCD and LCS have wide application. The clamping eye bolt has a tensile strength of 60,000 psi. The smooth, rounded surface of this "BATH TUB" fitting makes it ideal for installations requiring taping.

Through the use of these ROYAL "BATH TUB" fittings, substantial reductions can be made in the types and quantities of Cable Conductors carried in stock. Note wide range of cable sizes that can be accommodated by each fitting.

TYPE LCS



Catalog No.	Conductor Range		Dimensions in Inches			
	Min.	Max.	A	B	C	D
12202	#12 SOL.	#3 STR.	3/4	1	1/2	1
12204	#10 SOL.	1/0 STR.	1	1 1/4	1/2	1 3/16
12206	#8 SOL.	4/0 STR.	1	1 3/8	1/2	1 3/8
12208	#2 SOL.	350 MCM	1 1/4	1 1/2	1/2	1 1/2
12209	1/0 SOL.	500 MCM	1 1/4	1 5/8	1/2	1 9/16
12210	300 MCM	750 MCM	1 1/2	1 3/4	1/2	1 5/8
12212	500 MCM	1000 MCM	1 3/4	1 3/4	1/2	2

1. Circuit Breaker Connections.
2. Disconnect Switch Connections.
3. Pothead Connections.
4. Fuse Mounting Connections.
5. Transformer Connections.
6. Ground Connections to Steel Structures.
7. Ground Connections to Transformer Tanks.
8. Cable Connections to any flat surface.

ROYAL SWITCHGEAR MANUFACTURING CO.

3995 Pine Lane SE • Bessemer, AL 35023 • (205) 426-4090 • FAX (205) 426-4095

POWER CONNECTORS Bb-11

EXPANSION TERMINAL

TYPE BXL

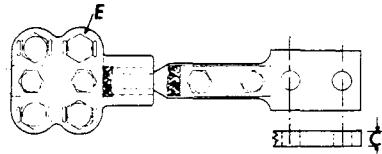


Fig. 1

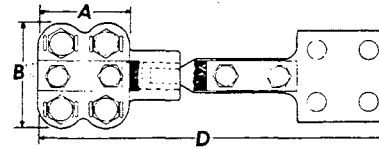


Fig. 2

TUBE TO FLAT SURFACE

Catalog No.	Conductor Size		Fig. No.	Dimensions in Inches				
	Tube	Pad (Inches)		A	B	C	D	E
6358	1/2	2 x 3	1	2 7/8	2 3/8	3/8	12 1/8	1/2
18042	1/2	3 x 3	2	2 7/8	2 3/8	3/8	12 1/8	1/2
6359	3/4	2 x 3	1	2 7/8	2 3/8	3/8	12 1/8	1/2
18043	3/4	3 x 3	2	2 7/8	2 3/8	3/8	12 1/8	1/2
6360	1	2 x 3	1	3	2 3/8	3/8	14	1/2
18044	1	3 x 3	2	3	2 3/8	3/8	14	1/2
6361	1 1/4	2 x 3	1	3 1/4	2 1/2	1/2	14	1/2
6362	1 1/4	3 x 3	2	3 1/4	2 1/2	3/8	14	1/2
6363	1 1/2	2 x 3	1	3 9/16	2 3/4	1/2	15	1/2
6364	1 1/2	3 x 3	2	3 9/16	2 3/4	1/2	15	1/2
6365	2	2 x 3	1	4 1/8	3	5/8	15 1/2	1/2
6366	2	3 x 3	2	4 1/8	3	9/16	15 3/4	1/2
18045	2	4 x 4	2	4 1/8	3	9/16	16 3/4	1/2
6367	2 1/2	2 x 3	1	4 5/8	3 1/4	7/8	15 1/2	1/2
18046	2 1/2	3 x 3	2	4 5/8	3 1/4	3/4	15 3/4	1/2
18047	2 1/2	4 x 4	2	4 5/8	3 1/4	5/8	16 3/4	1/2
18048	3	2 x 3	1	5 5/8	3 1/2	7/8	15 1/2	5/8
6368	3	3 x 3	2	5 5/8	3 1/2	3/4	18	5/8
18049	3	4 x 4	2	5 5/8	3 1/2	5/8	19	5/8
18050	3 1/2	2 x 3	1	6 1/8	3 3/4	7/8	15 1/2	5/8
6369	3 1/2	3 x 3	2	6 1/8	3 3/4	3/4	18	5/8
18051	3 1/2	4 x 4	2	6 1/8	3 3/4	5/8	19	5/8
18052	4	2 x 3	1	6 5/8	4	1	15 1/2	5/8
6370	4	3 x 3	2	6 5/8	4	7/8	18	5/8
18053	4	4 x 4	2	6 5/8	4	11/16	19	5/8

Example for Ordering: - #6360 Royal Type BXL Expansion Terminals 1" IPS Tubing.

Type BXL Terminals are designed for connecting Tube Bus to Switch, Contact Pad, Flat Plate or Flat Bar. NEMA drilling furnished as standard. Dimension prints upon request.

Silicon Bronze bolts, nuts and lockwashers are standard.

Bolt heads are nested between ears on the casting which prevents the bolt head from turning, and permits one wrench installation.

NOTE: 1/2" bolts are furnished as STANDARD for 1/2" IPS tubing and larger, and 500 MCM cable and larger.

Bb-Terminal

ROYAL SWITCHGEAR MANUFACTURING CO.

3995 Pine Lane SE • Bessemer, AL 35023 • (205) 426-4090 • FAX (205) 426-4095