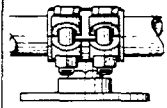
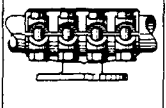
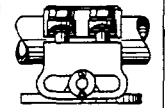
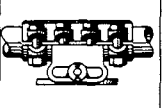
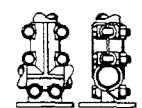
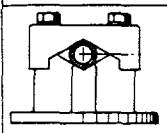
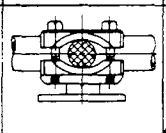
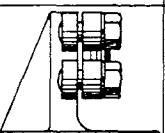
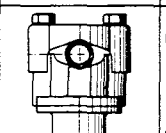
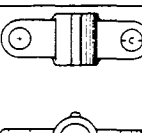
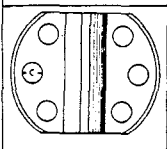
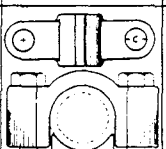
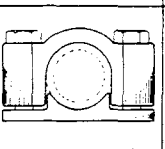
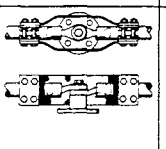
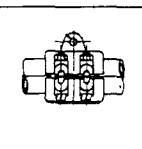
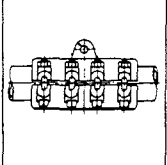
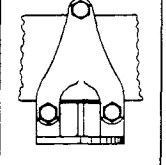
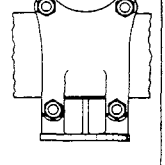
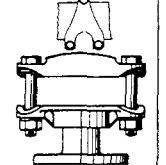
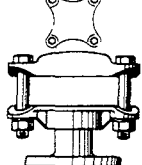
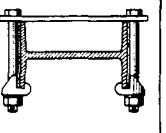
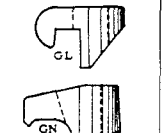
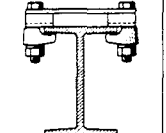


# POWER CONNECTORS

## OUTDOOR BUS SUPPORT FITTINGS PICTORIAL INDEX

### SECTION Fb

 Type RT-3 & 5 Page Fb-1	 Type RSC-3 & 5 Page Fb-2	 Type PH-3 & 5 Page Fb-3	 Type PHC-3 & 5 Page Fb-3	 Type PRP-3 & 5 Page Fb-4
 Type F-3 & 5 Page Fb-5	 Type RTD-3 & 5 Page Fb-5	 Type PV-3 & 5 Page Fb-6	 Type PG-3 & 5 Page Fb-6	 Type PF-3 & 5 Page Fb-7
 Type PR-3 & 5 Page Fb-7	 Type PFS-3 & 5 Page Fb-8	 Type PRS-3 & 5 Page Fb-8	 Type BXH-3 & 5 Page Fb-9	 Type SR Page Fb-9
 Type SRC Page Fb-9	 Type VA-3 & 5 Page Fb-10	 Type VH-3 & 5 Page Fb-10	 Type A-3 & 5 Page Fb-11	 Type H-3 & 5 Page Fb-11
 Type SB-3 & 5 Page Fb-12	 Type GL & GN Page Fb-12	 Type B-3 & 5 Page Fb-13		

Fb-Bus Support

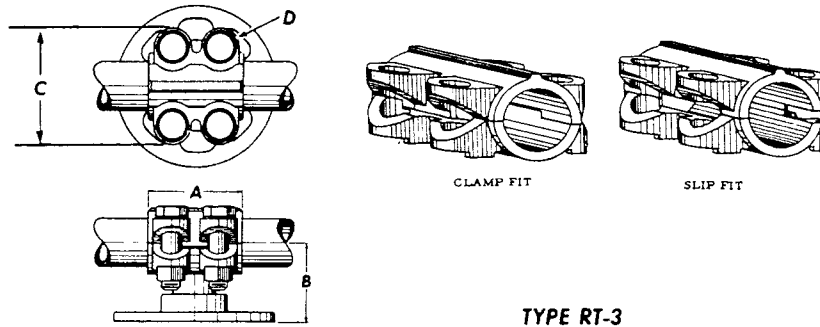
**ROYAL SWITCHGEAR MANUFACTURING CO.**

3995 Pine Lane SE • Bessemer, AL 35023 • (205) 426-4090 • FAX (205) 426-4095

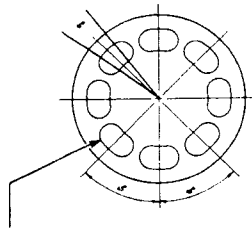
RT-3

# POWER CONNECTORS

## OUTDOOR BUS SUPPORT FITTINGS



TYPE RT-3



(8) 9/16" Dia. Slots on 3" B.C.  
 (8) 11/16" Dia. Slots on 5" B.C.

Conductor Range Tubing	Catalog Number	Dimensions in Inches			
		A	B *	C	D
1/2	18599	2 7/16	2 3/16	3	1/2
3/4	18600	2 7/16	2 1/4	3	1/2
1	18601	2 1/2	2 1/4	3 1/8	1/2
1 1/4	18602	2 1/2	2 7/16	3 3/8	1/2
1 1/2	18603	2 3/4	2 1/2	3 5/8	1/2
2	18604	3	2 11/16	4 1/8	1/2
2 1/2	18605	3	3 1/8	4 5/8	1/2
3	18606	3 1/4	3 3/8	5 11/16	5/8
3 1/2	18607	3 1/2	3 3/4	6 1/8	5/8
4	18608	3 3/4	4	6 5/8	5/8

\* Not NEMA Spacing

TYPE RT-5

Conductor Range Tubing	Catalog Number	Dimensions in Inches			
		A	B *	C	D
1/2	18609	2 7/16	2 3/16	3	1/2
3/4	18610	2 7/16	2 1/4	3	1/2
1	18611	2 1/2	2 1/4	3 1/8	1/2
1 1/4	18612	2 1/2	2 7/16	3 3/8	1/2
1 1/2	18613	2 3/4	2 1/2	3 5/8	1/2
2	18614	3	2 11/16	4 1/8	1/2
2 1/2	18615	3	3 1/8	4 5/8	1/2
3	18616	3 1/4	3 3/8	5 11/16	5/8
3 1/2	18617	3 1/2	3 3/4	6 1/8	5/8
4	18618	3 3/4	4	6 5/8	5/8

\* Not NEMA Spacing

NOTE:

MTG BOLTS FURNISHED FOR  
 CAP MTG UNLESS SPECIFIED

**ROYAL SWITCHGEAR MANUFACTURING CO.**

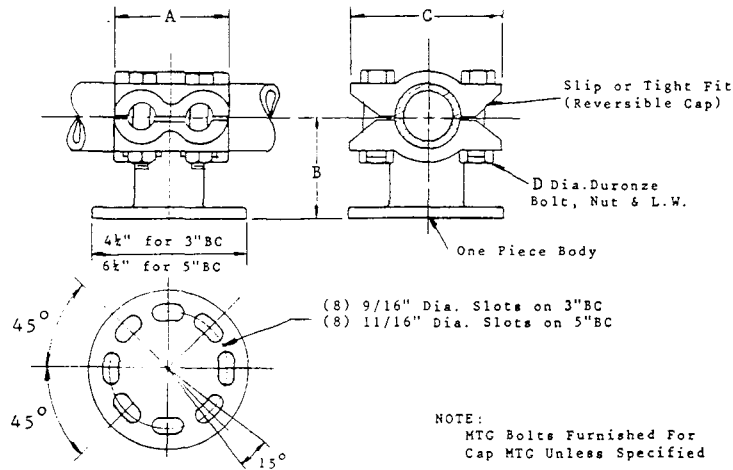
3995 Pine Lane SE • Bessemer, AL 35023 • (205) 426-4090 • FAX (205) 426-4095

# POWER CONNECTORS

Feb 1992

## OUTDOOR BUS SUPPORT FITTINGS

### TYPE RT



Fb-Bus Support

Catalog No 3" B.C.	Catalog No 5" B.C.	IPS SIZE	DIMENSION IN INCHES			
			A	B *	C	D
RT-05-3		1/2	2-7/16	1-3/4	3	1/2
	RT-05-5	1/2	2-7/16	2-1/8	3	1/2
RT-07-3		3/4	2-7/16	2	3	1/2
	RT-07-5	3/4	2-7/16	2-1/4	3	1/2
RT-10-3		1	2-1/2	2	3-1/16	1/2
	RT-10-5	1	2-1/2	2-1/4	3-1/16	1/2
RT-12-3		1-1/4	2-1/2	2-1/4	3-3/8	1/2
	RT-12-5	1-1/4	2-1/2	2-3/8	3-3/8	1/2
RT-15-3	RT-15-5	1-1/2	2-3/4	2-1/2	3-5/8	1/2
RT-20-3	RT-20-5	2	3	2-11/16	4-1/8	1/2
RT-25-3	RT-25-5	2-1/2	3	3-1/8	4-5/8	1/2
RT-30-3	RT-30-5	3	3-1/4	3-5/8	5-11/16	5/8
RT-35-3	RT-35-5	3-1/2	3-1/2	4	6-1/8	5/8
RT-40-3	RT-40-5	4	3-3/4	4-1/2	6-5/8	5/8

\* NEMA Spacing

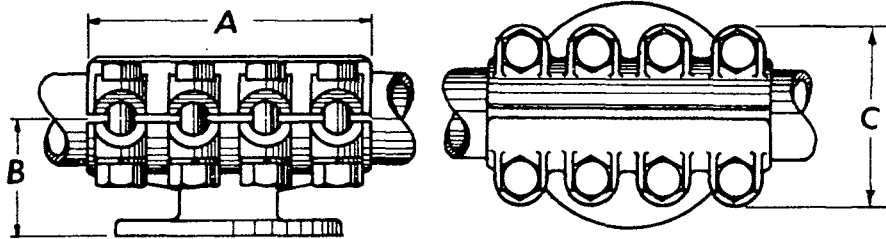
**ROYAL SWITCHGEAR MANUFACTURING CO.**

3995 Pine Lane SE • Bessemer, AL 35023 • (205) 426-4090 • FAX (205) 426-4095

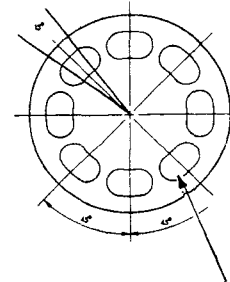
# Fb-2 POWER CONNECTORS

## OUTDOOR BUS SUPPORT COUPLER

TYPE RSC-3



Conductor Range Tubing	Catalog Number	Dimensions in Inches		
		A	B	C
1/2	6049	5	2 3/16	3
3/4	6050	5	2 1/4	3
1	6051	5	2 1/4	3 1/8
1 1/4	6052	5 1/4	2 7/16	3 3/8
1 1/2	6053	5 3/4	2 1/2	3 5/8
2	6054	6 1/4	2 11/16	4 1/8
2 1/2	9736	6 3/4	3 1/8	4 5/8
3	18118	7 1/4	3 3/8	5 11/16



TYPE RSC-5

(8) 9/16" Dia. Slots on 3" B.C.  
(8) 11/16" Dia. Slots on 5" B.C.

Conductor Range Tubing	Catalog Number	Dimensions in Inches		
		A	B	C
1/2	6136	5	2 3/16	3
3/4	6137	5	2 1/4	3
1	6138	5	2 1/4	3 1/8
1 1/4	6139	5 1/4	2 7/16	3 3/8
1 1/2	6140	5 3/4	2 1/2	3 5/8
2	6141	6 1/4	2 11/16	4 1/8
2 1/2	6142	6 3/4	3 1/8	4 5/8
3	6143	7 1/4	3 3/8	5 11/16
3 1/2	9743	8 1/4	3 3/4	6 1/8
4	18119	8 1/4	4	6 5/8

NOTE: MTG BOLTS FURNISHED FOR  
CAP MTG UNLESS SPECIFIED

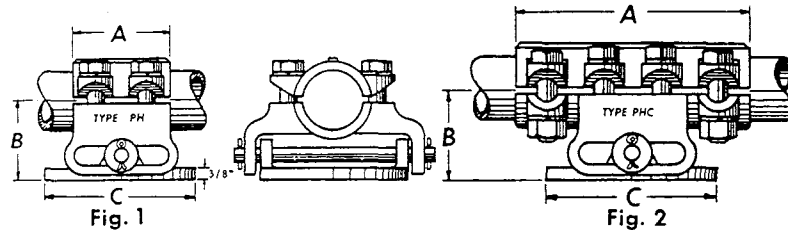
**ROYAL SWITCHGEAR MANUFACTURING CO.**

3995 Pine Lane SE • Bessemer, AL 35023 • (205) 426-4090 • FAX (205) 426-4095

# POWER CONNECTORS **Fb-3**

## OUTDOOR BUS SUPPORT FITTINGS

### TYPE PH



#### SLIDE BUS SUPPORT CLAMP

Catalog No. 3" Bolt Circle	Catalog No. 5" Bolt Circle	Fig. No.	Tubing Size	Dimensions in Inches		
				A	B	C
9757	9766	1	3/4	2 7/16	2 1/4	3" B.C. FOR 5" B.C.
9758	9767	1	1	2 1/2	2 1/4	
9759	9768	1	1 1/4	2 1/2	2 1/4	
9760	9769	1	1 1/2	2 3/4	2 1/2	4 1/4 FOR 3" B.C. 6 1/4 FOR 5" B.C.
9761	9770	1	2	3	2 11/16	
9762	9771	1	2 1/2	3	3	
18120	9772	1	3	3	3 5/16	4 1/4 FOR 3" B.C. 6 1/4 FOR 5" B.C.
18121	9773	1	3 1/2	3 1/4	3 3/4	
18122	9774	1	4	3 3/4	4	

Example for Ordering: - #9769 Royal Type PH Slide Bus support clamp 5" Bolt Circle 1-1/2" IPS Tubing.

### TYPE PHC

#### SLIDE BUS SUPPORT COUPLER

Catalog No. 3" Bolt Circle	Catalog No. 5" Bolt Circle	Fig. No.	Tubing Size	Dimensions in Inches		
				A	B	C
9775	9784	2	3/4	3 3/8	2 1/4	3" B.C. FOR 5" B.C.
9776	9785	2	1	4	2 1/4	
9777	9786	2	1 1/4	5 1/8	2 1/4	
9778	9787	2	1 1/2	5 7/8	2 1/2	4 1/4 FOR 3" B.C. 6 1/4 FOR 5" B.C.
9779	9788	2	2	5 7/8	2 11/16	
9780	9789	2	2 1/2	5 7/8	3	
18123	9790	2	3	7 1/2	3 5/16	4 1/4 FOR 3" B.C. 6 1/4 FOR 5" B.C.
18124	9791	2	3 1/2	8 1/2	3 3/4	
18125	9792	2	4	9	4	

Example for Ordering: - #9779 Royal Type PHC Slide Bus support coupler, 3" Bolt Circle 2" IPS Tubing.

These clamps are designed to withstand the most severe duty imposed by modern construction. The pin which provides the bearing is silicon bronze. All sliding surfaces are accurately machined to reduce friction.

Mounting slots are 52 degrees to permit angular adjustment. Standard silicon bronze machine bolts used with provision to prevent bolt heads turning.

Certified dimension prints furnished on request.

Silicon Bronze bolts, nuts and lock washers are standard. Hot galvanized steel bolts and nuts with steel lock washers furnished on request.

Sizes not shown can be furnished on short notice.

All fittings are for standard or extra heavy IPS tubing.

NOTE: 1/2" bolts are furnished as STANDARD for 1/2" IPS tubing and larger.

Fb-Bus Support

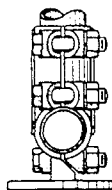
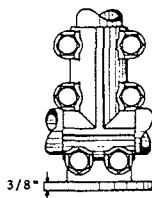
## ROYAL SWITCHGEAR MANUFACTURING CO.

3995 Pine Lane SE • Bessemer, AL 35023 • (205) 426-4090 • FAX (205) 426-4095

# Fb-4 POWER CONNECTORS

## OUTDOOR BUS SUPPORT FITTINGS

### TYPE PRP



BUS SUPPORT TEE CONNECTOR

Tube Size		Catalog No. 3" Bolt Circle	Catalog No. 5" Bolt Circle
Run	Tap		
1/2	1/2	2880	2925
3/4	3/4	2881	2926
3/4	1	2882	2927
1	1/2	2883	2928
1	3/4	2884	2929
1	1	2885	2930
1 1/4	1/2	2886	2931
1 1/4	3/4	2887	2932
1 1/4	1	2888	2933
1 1/4	1 1/4	2889	2934
1 1/2	1/2	2890	2935
1 1/2	3/4	2891	2936
1 1/2	1	2892	2937
1 1/2	1 1/4	2893	2938
1 1/2	1 1/2	2894	2939
2	3/4	2895	2940
2	1	2896	2941
2	1 1/4	2897	2942
2	1 1/2	2898	2943
2	2	2899	2944
2 1/2	3/4	2900	2945
2 1/2	1	2901	2946
2 1/2	1 1/4	2902	2947
2 1/2	1 1/2	2903	2948
2 1/2	2	2904	2949
2 1/2	2 1/2	2905	2950
3	1	2906	2951
3	1 1/4	2907	2952
3	1 1/2	2908	2953
3	2	2909	2954
3	2 1/2	2910	2955
3	3	2911	2956
3 1/2	1	2912	2957
3 1/2	1 1/4	2913	2958
3 1/2	1 1/2	2914	2959
3 1/2	2	2915	2960
3 1/2	2 1/2	2916	2961
3 1/2	3	2917	2962
3 1/2	3 1/2	2918	2963
4	1 1/2	2919	2964
4	2	2920	2965
4	2 1/2	2921	2966
4	3	2922	2967
4	3 1/2	2923	2968
4	4	2924	2969

**Example for Ordering:** - #2903 Royal Type PRP Bus Support Tee Connectors  
3" Bolt Circle 2 1/2" IPS Run, 1 1/2" IPS Tap.

Silicon Bronze bolts, nuts and lockwashers are standard.

Bolt heads are nested between ears on the casting which prevents the bolt head from turning, and permits one wrench installation.

Certified dimension prints will be furnished on request.

Special or unlisted sizes readily furnished.

**NOTE:** 1/2" bolts are furnished as STANDARD for 1/2" IPS tubing and larger, and 500 MCM cable and larger.

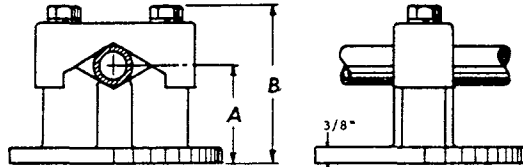
**ROYAL SWITCHGEAR MANUFACTURING CO.**

3995 Pine Lane SE • Bessemer, AL 35023 • (205) 426-4090 • FAX (205) 426-4095

# POWER CONNECTORS **Fb-5**

## OUTDOOR BUS SUPPORT FITTINGS

### TYPE P-3 & P-5



ADJUSTABLE

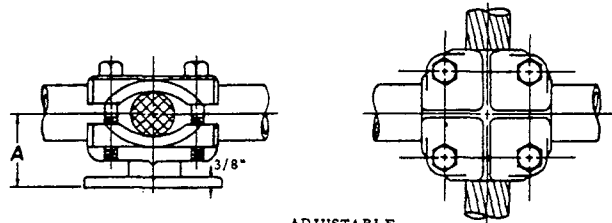
Cat. No. P-3 3" B.C.	Cat. No. P-5 5" B.C.	Conductor Range		Dimen. in Inches	
		IPS Tubing	Cable	A. Max.	B. Max.
9641	9643		#6 SOL - 1/0	1 1/8	2 1/4
6000	6087		1/0 SOL - 500 MCM	2	3 5/8
6004	6090	1/2 - 1	500 - 1500 MCM	2 1/4	4 1/4
6005	6092	1 1/4 - 1 1/2	1750 - 2000 MCM	2 3/8	4 3/4
6006	6093	2		2 3/4	5
9642	6094	2 1/2		3	5 1/2
	6095	3		3	5 3/4
	18126	3 1/2		3 1/2	6

Example for Ordering: - #6005 Royal Type P-3 Adjustable Outdoor Bus Support fittings, 1-1/4" IPS Tubing, cap mounted.

The Type P-3 and P-5 Clamps are universally accepted as the most effective and economical design available today. The mounting slots are 52° to provide angle adjustment. Conductor bearing surfaces are throated to obtain a non-shearing clamp on conductor. Specify whether clamps are for cap or base mounting so that proper bolts can be furnished.

Silicon Bronze bolts, nuts and lockwashers are standard.

### TYPE RTD-3 & RTD-5



ADJUSTABLE

Catalog No. RTD-3 3" B.C.	Catalog No. RTD-5 5" B.C.	Conductor Size		Dimen. in Inches A
		IPS Tube	Cable	
15317	15323	1/8 - 1/2	#4 SOL - 500 MCM	2 3/16
15318	15324	1/4 - 1	4/0 SOL - 1250 MCM	2 21/32
15319	15325	3/4 - 1 1/2	750 MCM - 2000 MCM	3 1/4
15320	15326	1 1/2 - 2	2500 MCM - UP	3 23/32

Example for Ordering: - #15324 Royal Type RTD-5 Bus Support fitting 1" IPS - 5" Bolt Circle.

This design is adjustable for use with the conductor sizes shown, by rotating the clamping piece 90 degrees.

Can also be furnished for use with center bolt insulators.

Fb-Bus Support

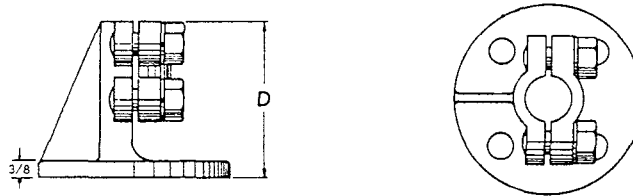
## ROYAL SWITCHGEAR MANUFACTURING CO.

3995 Pine Lane SE • Bessemer, AL 35023 • (205) 426-4090 • FAX (205) 426-4095

# Fb-6 POWER CONNECTORS

## OUTDOOR BUS SUPPORT FITTINGS

### TYPE PV

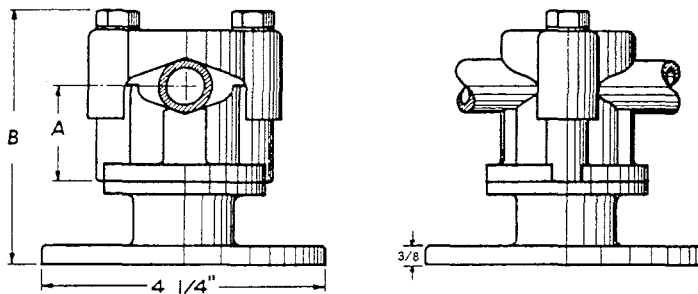


FOR SUPPORTING VERTICAL RUN IPS TUBING

Tube Size IPS	Catalog No. PV-3	Catalog No. PV-5	D
	3" Bolt Circle	5" Bolt Circle	
1/2	4044		3 1/2
1/2		9744	3 1/2
3/4	9745		4 1/2
3/4		9746	4 1/2
1	9747		5
1		9748	5
1 1/4	9749		6 1/8
1 1/4		9750	6 1/8
1 1/2	9751		6 7/8
1 1/2		9752	6 7/8
2		9753	7
2 1/2		9754	7 1/4
3		9755	8 1/2

Example for ordering: - #9745 Royal Type PV-3 vertical run bus support fitting for 3/4" IPS tubing cap mounting.

### TYPE PG



Catalog No.	Dimensions in Inches		
	Tube Size	A Max.	B Max.
12550	1/2 TO 1	1-1/2	2-5/8
12551	1-1/4 TO 2	2	3-3/8

Example for Ordering: - #12550 Royal Type PG Outdoor Bus Support Fitting 1/2 to 1" IPS Tubing.

Type PG is designed to take an extremely wide range of conductor sizes. This feature simplifies the storeroom problem. The base is separable so it can be used with 3" B.C. or single center bolt insulators.

## ROYAL SWITCHGEAR MANUFACTURING CO.

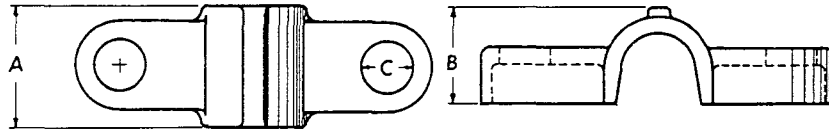
3995 Pine Lane SE • Bessemer, AL 35023 • (205) 426-4090 • FAX (205) 426-4095



# POWER CONNECTORS Fb-7

## OUTDOOR BUS SUPPORT FITTINGS

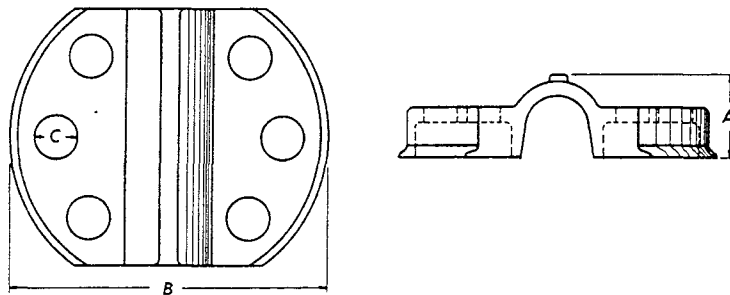
### TYPE PF



Tube Size IPS	Catalog No. PF-3 3" Bolt Circle	Catalog No. PF-5 5" Bolt Circle	Dimensions in Inches		
			A	B	C
1/2	9675	9676	1 3/8	1 7/16	9/16
1/2			1 3/8	1 7/16	11/16
3/4	9677	9678	1 1/4	1 1/4	9/16
3/4			1 1/4	1 1/4	11/16
1	9679	9680	1 1/2	1 7/16	9/16
1			1 1/2	1 7/16	11/16
1 1/4	9681	9682	1 1/2	2	9/16
1 1/4			1 1/2	2	11/16
1 1/2	9683	9684	1 1/2	2 3/16	9/16
1 1/2			1 1/2	2 3/16	11/16
2	18127	9685	1 5/8	2 11/16	9/16
2			1 5/8	2 11/16	11/16
2 1/2		18128	1 3/4	3	11/16
3		18129	1 3/4	3 1/4	11/16
3 1/2		18130	1 3/4	3 1/2	11/16

Example for Ordering: - #9679 Royal Type PF Bus Support Fittings 1" Tube, 3" Bolt Circle, Pin Mounted.

### TYPE PR



Tube Size IPS	Catalog No. PR-3 3" Bolt Circle	Catalog No. PR-5 5" Bolt Circle	Dimensions in Inches		
			A	B	C
1/2	9688	9689	1 1/4	4 1/4	9/16
1/2			1 1/4	6 1/4	11/16
3/4	9690	9691	1 5/16	4 1/4	9/16
3/4			1 5/16	6 1/4	11/16
1	9692	9693	1 9/16	4 1/4	9/16
1			1 9/16	6 1/4	11/16
1 1/4	18131	9695	1 7/8	4 1/4	9/16
1 1/4			1 7/8	6 1/4	11/16
1 1/2		9697	2 3/16	6 1/4	11/16
2		9698	2 7/8	6 1/4	11/16
2 1/2		18132	3	6 1/4	11/16

Example for Ordering: - #9695 Royal Type PR Bus Support Fittings 1-1/4" IPS Tube, 5" Bolt Circle, Cap Mounted.

The Type PF and PR clamps keep height of Bus above insulator cap to a minimum. No angular adjustment is provided. Specify for cap or base mounting so that cap screws or bolts can be furnished.

Fb-Bus Support

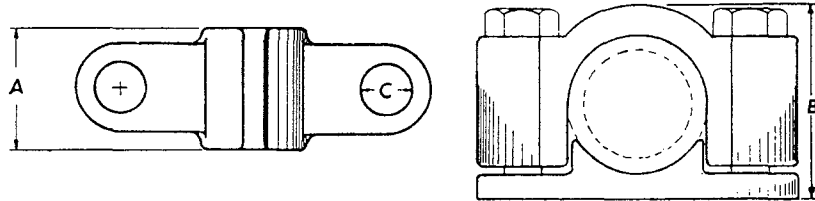
## ROYAL SWITCHGEAR MANUFACTURING CO.

3995 Pine Lane SE • Bessemer, AL 35023 • (205) 426-4090 • FAX (205) 426-4095

# Fb-8 POWER CONNECTORS

## OUTDOOR BUS SUPPORT FITTINGS

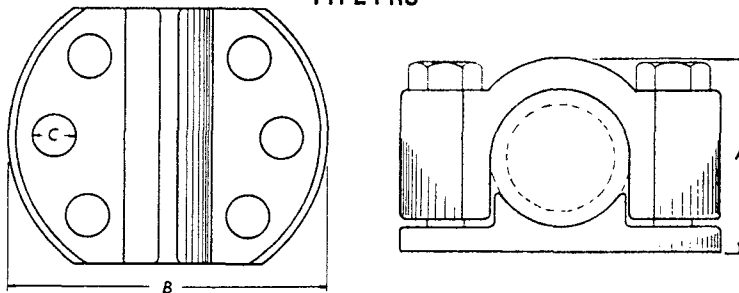
### TYPE PFS



Tube Size IPS	Catalog No. PFS-3 3" Bolt Circle	Catalog No. PFS-5 5" Bolt Circle	Dimensions in Inches		
			A	B	C
1/2	18133	18134	1 3/8	1 3/4	9/16
1/2			1 3/8	1 3/4	11/16
3/4	18135	18136	1 1/4	1 7/8	9/16
3/4			1 1/4	1 7/8	11/16
1	18137	18138	1 1/2	1 7/8	9/16
1			1 1/2	1 7/8	11/16
1 1/4	18139	18140	1 1/2	2 1/4	9/16
1 1/4			1 1/2	2 1/4	11/16
1 1/2	18141	18142	1 1/2	2 7/16	9/16
1 1/2			1 1/2	2 7/16	11/16
2	18143	18144	1 5/8	3	9/16
2			1 5/8	3	11/16
2 1/2	18145	18146	1 3/4	3 1/4	11/16
3			1 3/4	3 1/2	11/16
3 1/2	18147	18147	1 3/4	3 3/4	11/16

Example for Ordering: - #18142 Royal Type PFS Bus Support Fittings 1-1/2" IPS Tube, 5" Bolt Circle, Cap Mounted.

### TYPE PRS



Tube Size IPS	Catalog No. PRS-3 3" Bolt Circle	Catalog No. PRS-5 5" Bolt Circle	Dimensions in Inches		
			A	B	C
1/2	18148	18149	1 1/2	4 1/4	9/16
1/2			1 1/2	6 1/4	11/16
3/4	18150	18151	1 9/16	4 1/4	9/16
3/4			1 9/16	6 1/4	11/16
1	18152	18153	1 13/16	4 1/4	9/16
1			1 13/16	6 1/4	11/16
1 1/4	18154	18155	2 1/8	4 1/4	9/16
1 1/4			2 1/8	6 1/4	11/16
1 1/2	18156	18157	2 7/16	6 1/4	11/16
2			3 1/8	6 1/4	11/16
2 1/2	18158	18158	3 1/4	6 1/4	11/16

Example for Ordering: - #18152 Royal Type PRS Bus Support Fittings, 1" IPS Tube, 3" Bolt Circle, Cap Mounted.

Types PFS and PRS are provided with a saddle to encircle conductor for firmer support. No angular adjustment. Mounting bolts furnished when specified.

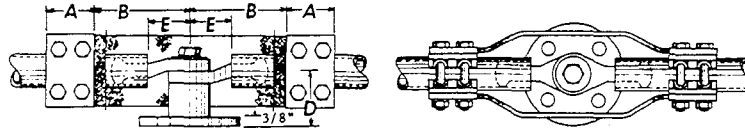
## ROYAL SWITCHGEAR MANUFACTURING CO.

3995 Pine Lane SE • Bessemer, AL 35023 • (205) 426-4090 • FAX (205) 426-4095

# POWER CONNECTORS **Fb-9**

## OUTDOOR BUS SUPPORT FITTINGS

### TYPE BXH



EXPANSION SUPPORT

Catalog No. 3" Bolt Circle	Catalog No. 5" Bolt Circle	Tubing Size	Dimensions in Inches				
			A	B	C	D	E
9765	9796	1	2	8	3	2 1/4	1 3/4
9781	9797	1 1/4	3	8	3 1/2	2 3/8	1 3/4
9782	9798	1 1/2	3	8	3 1/2	2 1/8	1 3/4
9783	9799	2	3 1/4	8	3 1/2	2 1/2	2
9793	9800	2 1/2	3 1/4	8	4	2 7/8	2
	9801	3	4	8	4	3 1/2	2
	9802	3 1/2	4	8	4	4 1/2	2
	9803	4	4	8	4	4 5/8	2

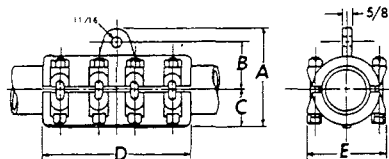
Example for Ordering: - #9798 Royal Type BXH Expansion Supports for 1-1/2" IPS Tubing, 5" Bolt Circle.  
The Type BXH Expansion Bus Support Clamp permits longitudinal expansion and also angular adjustment.  
Ample braid cross-section is provided to carry maximum capacity of tubing without heating.  
Can be furnished with laminated shunts when required.  
Clamp body is of high strength bronze.  
Standard Duroz machine bolts are used with provision to prevent bolt heads turning.  
Certified dimension prints furnished on request.

### TYPR SR

Catalog Number	Tubing Size IPS	Dimensions in Inches				
		A	B	C	D	E
14935	1/2	3 1/32	1 37/64	45/64	2 7/16	3
14936	3/4	3 9/32	1 23/32	13/16	2 7/16	3
14937	1	3 17/32	1 55/64	59/64	2 1/2	3 1/16
14938	1 1/4	4 3/32	2 1/8	1 7/32	2 1/2	3 3/8
14939	1 1/2	4 5/16	2 7/32	1 11/32	2 3/4	3 19/32
14940	2	4 43/64	2 31/64	1 17/32	3	4 1/8
14941	2 1/2	5 5/16	2 13/16	1 3/4	3	4 5/8

Example for Ordering: - #14939 Royal Type SR Suspension Bus Support, 1-1/2" IPS Tube.

### TYPE SRC



Catalog Number	Tubing Size IPS	Dimensions in Inches				
		A	B	C	D	E
14928	1/2	3	1 37/64	43/64	4 13/16	2 5/8
14929	3/4	3 9/32	1 23/32	13/16	4 13/16	2 7/8
14930	1	3 9/16	1 55/64	51/64	4 13/16	3
14931	1 1/4	4 3/32	2 1/8	1 7/32	5 3/8	3 3/8
14932	1 1/2	4 9/32	2 7/32	1 5/16	5 7/8	3 19/32
14933	2	4 13/16	2 31/64	1 37/64	7 1/4	4
14934	2 1/2	5 15/32	2 13/16	1 29/32	8 3/4	4 5/8

Example for Ordering: - #14934 Royal Type SRC Suspension Bus Support Coupler, 2-1/2" IPS Tube.

Fb-Bus Support

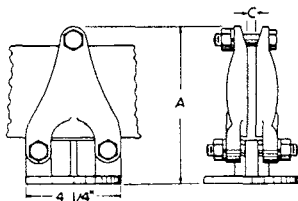
## ROYAL SWITCHGEAR MANUFACTURING CO.

3995 Pine Lane SE • Bessemer, AL 35023 • (205) 426-4090 • FAX (205) 426-4095

# Fb-10 POWER CONNECTORS

## OUTDOOR BUS SUPPORT FITTINGS

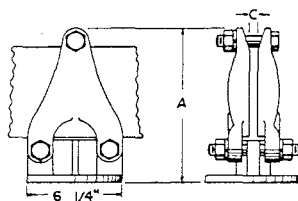
### TYPE VA-3



Size of Bus Inches	Catalog No.	Dimensions in Inches
		A
1 1/2	6009	2 1/4
2	6010	2 3/4
2 1/2	6011	3 1/4
3	6012	3 3/4
3 1/2	6013	4 1/4
4	6014	4 3/4
5	6015	5 7/8
6	6016	6 7/8

Example for ordering: - #6010 Royal Type A-3 outdoor bus support fittings for 2" bus bar. Cap mounted - C dimension 1"

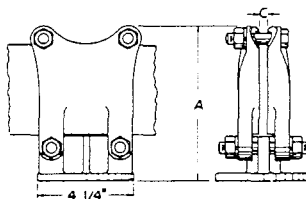
### TYPE VA-5



Size of Bus Inches	Catalog No.	Dimensions in Inches
		A
1 1/2	6096	2 3/8
2	6097	2 7/8
2 1/2	6098	3 3/8
3	6099	3 7/8
3 1/2	6100	4 3/8
4	6101	4 7/8
5	6102	5 7/8
6	6103	6 7/8

Example for ordering: - #6098 Royal Type A-5 outdoor bus support fittings for 2 1/2" bus bar. Pin mounted - C dimension 1 1/4"

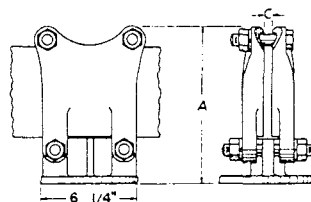
### TYPE VH-3



Size of Bus Inches	Catalog No.	Dimensions in Inches
		A
1 1/2	6017	2 1/4
2	6018	2 3/4
2 1/2	6019	3 1/4
3	6020	3 3/4
3 1/2	6021	4 1/4
4	6022	4 3/4
5	6023	5 7/8
6	6024	6 7/8

Example for ordering: - #6022 Royal Type VH-3 outdoor bus support fittings for 4" bus bar. Cap mounted - C dimension 1 1/2"

### TYPE VH-5



Size of Bus Inches	Catalog No.	Dimensions in Inches
		A
1 1/2	6104	2 3/8
2	6105	2 7/8
2 1/2	6106	3 3/8
3	6107	3 7/8
3 1/2	6108	4 3/8
4	6109	4 7/8
5	6110	5 7/8
6	6111	6 7/8

Example for ordering: - #6105 Royal Type VH-5 outdoor bus support fitting for 2" bus bar. Cap mounting - C dimension 1"

When Ordering Bus Support Fittings on this page specify for Cap or Pin Mounting - Also specify Clamp opening required - Dimension "C".

**ROYAL SWITCHGEAR MANUFACTURING CO.**

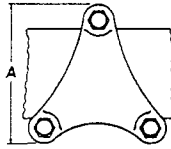
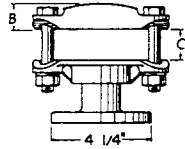
3995 Pine Lane SE • Bessemer, AL 35023 • (205) 426-4090 • FAX (205) 426-4095

# POWER CONNECTORS Fb-11

## BUS SUPPORT FITTINGS

Eb-Stud Conn

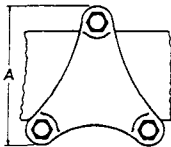
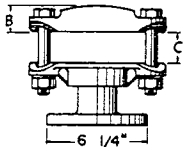
### TYPE A-3



Size Bus Inches		Catalog No.	Dimensions in Inches	
Main	Tap		A	B
1 1/2	1 1/2	11562	2 3/4	3/4
2	2	11563	3 1/4	3/4
2 1/2	2 1/2	11564	3 7/8	3/4
3	3	11565	4 3/4	3/4
3 1/2	3 1/2	11566	5 1/4	3/4
4	4	11567	5 3/4	7/8
5	5	10806	6 3/4	7/8
6	6	10807	7 3/4	7/8

Example for ordering: - #10807 Royal Type A-3 outdoor bus support fitting for 6" bus bar. Cap mounted - "C" dimension 1 1/4".

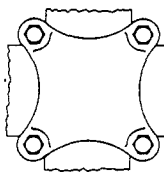
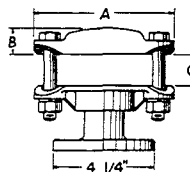
### TYPE A-5



Size Bus Inches		Catalog No.	Dimensions in Inches	
Main	Tap		A	B
1 1/2	1 1/2	10808	2 3/4	3/4
2	2	10809	3 1/4	3/4
2 1/2	2 1/2	10810	3 7/8	3/4
3	3	10811	4 3/4	3/4
3 1/2	3 1/2	10812	5 1/4	3/4
4	4	10813	5 3/4	7/8
5	5	10814	6 3/4	7/8
6	6	10815	7 3/4	7/8

Example for ordering: - #10813 Royal Type A-5 outdoor bus support fitting for 4" bus bar. Cap mounted - "C" dimension 1".

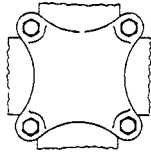
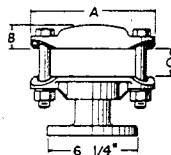
### TYPE H-3



Size Bus Inches		Catalog No.	Dimensions in Inches	
Main	Tap		A	B
1 1/2	1 1/2	6041	2 3/4	3/4
2	2	6042	3 1/4	3/4
2 1/2	2 1/2	6043	3 7/8	3/4
3	3	6044	4 3/8	3/4
3 1/2	3 1/2	6045	4 7/8	3/4
4	4	6046	5 3/4	7/8
5	5	6047	6 3/4	7/8
6	6	6048	7 3/4	7/8

Example for ordering: - #6045 Royal Type H-3 outdoor bus support fittings for 3 1/2" bus bar. Cap mounting - C dimension 1 1/2".

### TYPE H-5



Size Bus Inches		Catalog No.	Dimensions in Inches	
Main	Tap		A	B
1 1/2	1 1/2	6128	2 3/4	7/8
2	2	6129	3 1/4	7/8
2 1/2	2 1/2	6130	3 7/8	7/8
3	3	6131	4 3/4	1
3 1/2	3 1/2	6132	5 1/4	1
4	4	6133	5 3/4	1
5	5	6134	6 3/4	1
6	6	6135	7 3/4	1

Example for ordering: - #6129 Royal Type H-5 outdoor bus support fittings for 2" bus bar. Pin mounted - C Dimension 3/4".

When Ordering Bus Support Fittings on this page specify for Cap or Pin Mounting — Also specify Clamp opening required — Dimension "C"

## ROYAL SWITCHGEAR MANUFACTURING CO.

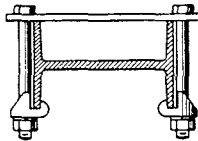
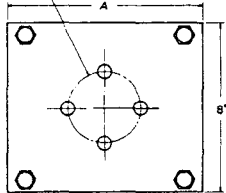
3995 Pine Lane SE • Bessemer, AL 35023 • (205) 426-4090 • FAX (205) 426-4095

# Fb-12 POWER CONNECTORS

## BASES

### TYPE SB-3

9/16" HOLES  
ON 3" DIA. B.C.



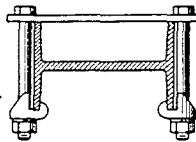
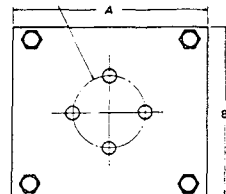
FOR MOUNTING ON SIDE OF BEAM

Beam Size Inches	Catalog No.
4	6062
5	6063
6	6064
7	6065
8	6066

Example for ordering: - #6063 Royal Type SB-3 base for 5" H beam. Insulators cap mounted.  
Always specify whether for cap or pin mounting. Always specify the beam size A and type and weight of beam.

### TYPE SB-5

11/16" HOLES  
ON 5" DIA. B.C.



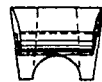
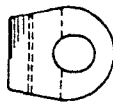
FOR MOUNTING ON SIDE OF BEAM

Beam Size Inches	Catalog No.
4	6131
5	6132
6	6133
7	6134
8	6135

Example for ordering: - #6132 Royal Type SB-5 base for 5" I beam insulators cap mounted.

Always specify whether for cap or pin mounting. Always specify the beam size and type and weight of beam.

### NUTSEATS TYPE GL

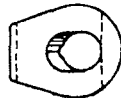


Catalog No.	Flange Thickness	Bolt Size
9917	3/16" TO 1/4"	1/2 OR 5/8
9918	1/4" TO 5/16"	1/2 OR 3/8
9919	5/16" TO 3/8"	1/2 OR 5/8
9920	3/8" TO 7/16"	1/2 OR 5/8
9921	1/2"	1/2 OR 5/8

Example for ordering: - #9917 Royal Type GL nut seats 1 1/4" flange.

Specify bolt size. Material is malleable iron hot dip galvanized.

### GRIP NUTS TYPE GN



Catalog No.	Flange Thickness	Bolt Size
9922	3/16" TO 1/2"	1/2 OR 5/8
9923	1/8" TO 1/2"	1/2 OR 5/8

Example for ordering: - #9922 Royal Type GN grip nuts for 3/16" flange.

Nut seats can be furnished for use with 5/8" bolts if required. Material is malleable iron, normalized and hot dip galvanized. Specify bolt size.

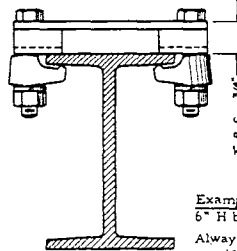
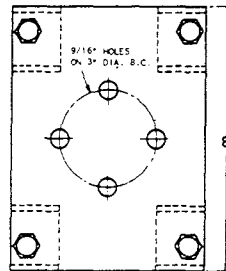
**ROYAL SWITCHGEAR MANUFACTURING CO.**

3995 Pine Lane SE • Bessemer, AL 35023 • (205) 426-4090 • FAX (205) 426-4095

# POWER CONNECTORS Fb-13

## BASES

### TYPE B-3



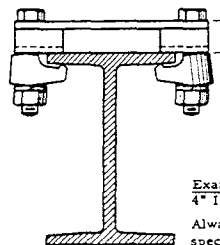
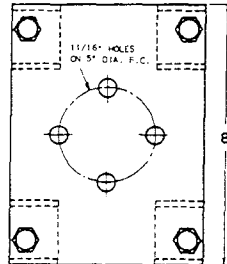
FOR BEAM FLANGE MOUNTING

Beam Size Inches	Catalog No.
4	6055
5	6056
6	6057
7	6058
8	6059
9	6060
10	6061

Example for ordering: - #6057 Royal Type B-3 base for 5" H beam. Insulators pin mounted.

Always specify whether for cap or pin mounting. Always specify the beam size A and type and weight of beam.

### TYPE B-5



FOR BEAM FLANGE MOUNTING

Beam Size Inches	Catalog No.
4	6144
5	6145
6	6146
7	6147
8	6148
9	6149
10	6150

Example for ordering: - #6144 Royal Type B-5 base for 4" I beam. Insulators cap mounted.

Always specify whether for cap or pin mounting. Always specify the beam size A and type and weight of beam.

Fb-Bus Support

**ROYAL SWITCHGEAR MANUFACTURING CO.**

3995 Pine Lane SE • Bessemer, AL 35023 • (205) 426-4090 • FAX (205) 426-4095