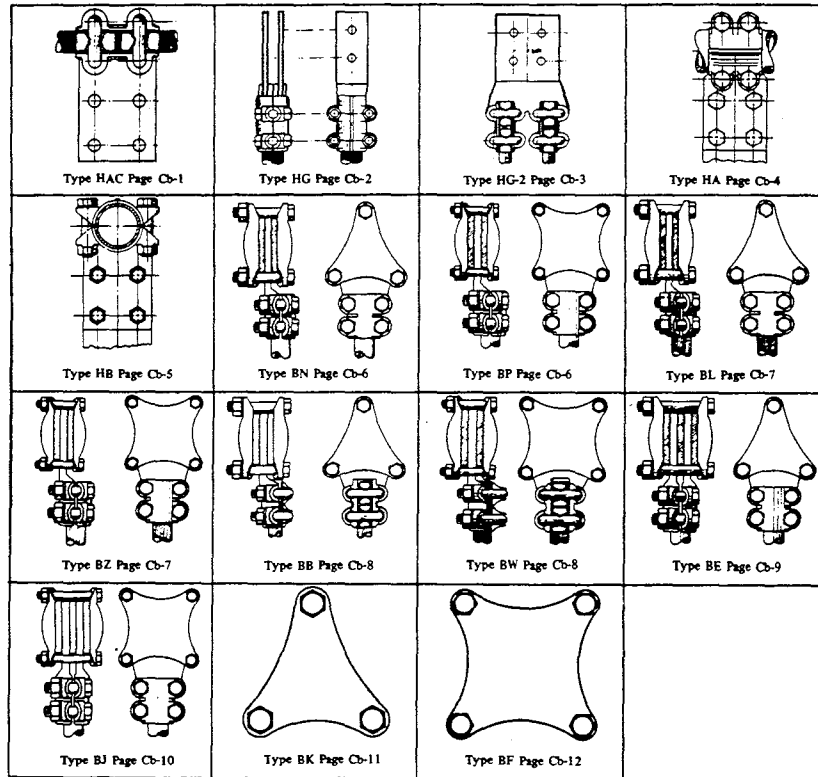


POWER CONNECTORS

BAR CONNECTORS PICTORIAL INDEX

SECTION Cb



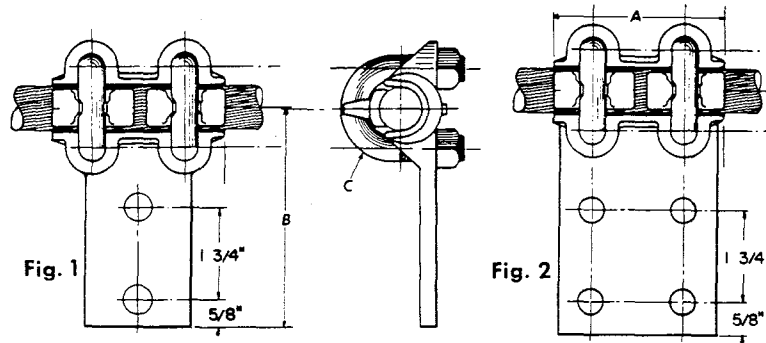
Cb-Bar Conn

ROYAL SWITCHGEAR MANUFACTURING CO.

3995 Pine Lane SE • Bessemer, AL 35023 • (205) 426-4090 • FAX (205) 426-4095

POWER CONNECTORS **Cb-1**

BAR CONNECTOR TYPE HAC



CABLE TO BAR

Catalog No.	Number Of Bars	Width Of Bars	Conductor Range		Fig. No.	Dimensions in Inches		
			Min.	Max.		A	B	C
18054	1	2	#6 SOL.	2/0 STR.	1	2	4 1/16	3/8
18055	1	2	#1 SOL.	4/0 STR.	1	2 1/4	4 1/16	3/8
6580	1	2	1/0 SOL.	300 MCM	1	2 3/4	4 3/16	3/8
6581	1	3	1/0 SOL.	300 MCM	2	2 3/4	4 3/16	3/8
6582	1	4	1/0 SOL.	300 MCM	2	2 3/4	4 3/16	3/8
6583	1	2	300 MCM	500 MCM	1	3	4 3/4	1/2
6584	1	3	300 MCM	500 MCM	2	3	4 3/4	1/2
6585	1	4	300 MCM	500 MCM	2	3	4 3/4	1/2
6588	1	2	500 MCM	800 MCM	1	3 3/4	5	1/2
6589	1	3	500 MCM	800 MCM	2	3 3/4	5	1/2
6590	1	4	500 MCM	800 MCM	2	3 3/4	5	1/2
6593	1	2	750 MCM	1000 MCM	1	4	5 1/2	1/2
6594	1	3	750 MCM	1000 MCM	2	4	5 1/2	1/2
6595	1	4	750 MCM	1000 MCM	2	4	5 1/2	1/2
6596	2	2	750 MCM	1000 MCM	1	4	5 1/2	1/2
6597	2	3	750 MCM	1000 MCM	2	4	5 1/2	1/2
6598	2	4	750 MCM	1000 MCM	2	4	5 1/2	1/2
18056	1	2	1000 MCM	1500 MCM	1	4 1/2	5 5/8	1/2
6599	1	3	1000 MCM	1500 MCM	2	4 1/2	5 5/8	1/2
6600	1	4	1000 MCM	1500 MCM	2	4 1/2	5 5/8	1/2
6601	2	3	1000 MCM	1500 MCM	2	4 1/2	5 5/8	1/2
6602	2	4	1000 MCM	1500 MCM	2	4 1/2	5 5/8	1/2
6604	1	4	1500 MCM	2000 MCM	2	4 1/2	5 3/4	1/2
6606	2	4	1500 MCM	2000 MCM	2	4 1/2	5 3/4	1/2

Example for Ordering: - #6595 Royal Type HAC Connector, One 1/4" x 4" Bar to 750/1000 MCM Cable.

Silicon Bronze bolts, nuts and lockwashers are standard.
Certified dimension prints will be furnished on request.
Special or unlisted sizes readily furnished.

NOTE: 1/2" bolts are furnished as STANDARD for 1/2" IPS tubing and larger, and 500 MCM cable and larger.

NOTE: This connector will meet or exceed NEMA requirements for Class CF-1; Pub. SG-1.

Cb-Bar Conn

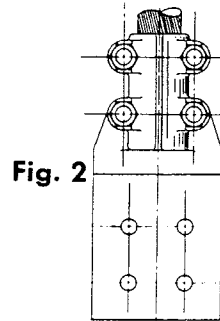
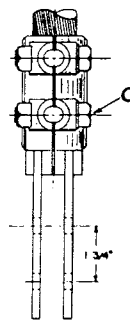
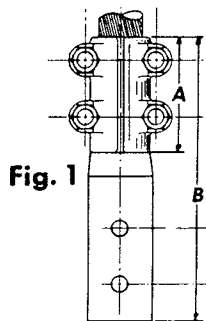
ROYAL SWITCHGEAR MANUFACTURING CO.

3995 Pine Lane SE • Bessemer, AL 35023 • (205) 426-4090 • FAX (205) 426-4095

Cb-2 POWER CONNECTORS

BAR CONNECTOR

TYPE HG



BAR TO TUBE OR CABLE

CAT. NO.	NUMBER OF BARS	WIDTH OF BARS	CONDUCTOR SIZE		FIG. NO.	DIMENSIONS IN INCHES		
			TUBE	CABLE		A	B	C
6509	1	2	1/2	500 MCM	1	2-3/8	5-1/2	1/2
6510	1	3	1/2	500 MCM	2	2-3/8	5-1/2	1/2
6511	1	4	1/2	500 MCM	2	2-3/8	6-1/2	1/2
6512	1	2	3/4	800 MCM	1	2-3/8	5-1/2	1/2
6513	1	3	3/4	800 MCM	2	2-3/8	5-1/2	1/2
6514	1	4	3/4	800 MCM	2	2-3/8	6-1/2	1/2
6515	1	2	1	1250 MCM	1	2-3/8	5-1/2	1/2
6516	1	3	1	1250 MCM	2	2-3/8	5-1/2	1/2
6517	1	4	1	1250 MCM	2	2-3/8	6-1/2	1/2
6518	2	2	1	1250 MCM	1	2-3/8	5-3/4	1/2
6519	2	3	1	1250 MCM	2	2-3/8	5-3/4	1/2
6520	2	4	1	1250 MCM	2	2-3/8	6-3/4	1/2
6521	1	2	1-1/4	2000 MCM	1	2-1/2	5-3/4	1/2
6522	1	3	1-1/4	2000 MCM	2	2-1/2	5-3/4	1/2
6523	1	4	1-1/4	2000 MCM	2	2-1/2	6-1/2	1/2
6524	2	2	1-1/4	2000 MCM	1	2-1/2	5-3/4	1/2
6525	2	3	1-1/4	2000 MCM	2	2-1/2	5-3/4	1/2
6526	2	4	1-1/4	2000 MCM	2	2-1/2	6-3/4	1/2
6527	1	2	1-1/2	3000 MCM	1	2-3/4	6	1/2
6528	1	3	1-1/2	3000 MCM	2	2-3/4	6	1/2
6529	1	4	1-1/2	3000 MCM	2	2-3/4	7	1/2
6530	2	2	1-1/2	3000 MCM	1	2-3/4	6	1/2
6531	2	3	1-1/2	3000 MCM	2	2-3/4	6-3/4	1/2
6532	2	4	1-1/2	3000 MCM	2	2-3/4	7-3/4	1/2
6537	1	3	2		2	3	6-1/4	1/2
6538	1	4	2		2	3	7-1/4	1/2
6539	2	3	2		2	3	6-1/4	1/2
6540	2	4	2		2	3	7-1/4	1/2
6541	1	3	2-1/2		2	3-1/4	6-1/2	1/2
6542	1	4	2-1/2		2	3-1/4	7-1/2	1/2
6543	2	3	2-1/2		2	3-1/4	6-1/2	1/2
6544	2	4	2-1/2		2	3-1/4	7-1/2	1/2
6546	1	3	3		2	3-1/2	6-3/4	5/8
6547	1	4	3		2	3-1/2	7-3/4	5/8
6548	2	3	3		2	3-1/2	6-3/4	5/8
6549	2	4	3		2	3-1/2	7-3/4	5/8
6550	3	3	3		2	3-1/2	6-3/4	5/8
6551	3	4	3		2	3-1/2	7-3/4	5/8

Example for Ordering: #6510 Royal Type HG Connector, One 1/4" x 3" Bar to 500 MCM Cable. Silicon Bronze bolts, nuts and lockwashers are standard. Bolt heads are nested between ears on the casting which prevents the bolt head from turning, and permits one wrench installation.

Certified dimension prints will be furnished on request.

Special or unlisted sizes readily furnished.

NOTE: 1/2" bolts are furnished as STANDARD for 1/2" IPS tubing and larger, and 500 MCM cable and larger.

NOTE: This connector will meet or exceed NEMA requirements for Class CF-1; Pub. SG-1.

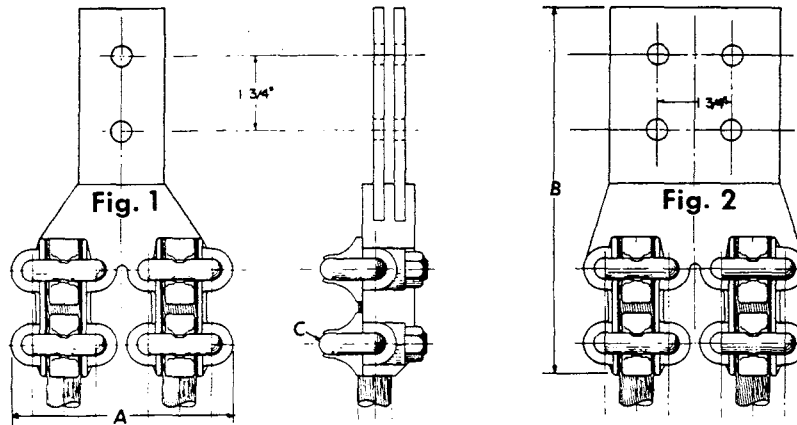
ROYAL SWITCHGEAR MANUFACTURING CO.

3995 Pine Lane SE • Bessemer, AL 35023 • (205) 426-4090 • FAX (205) 426-4095

POWER CONNECTORS **Cb-3**

BAR CONNECTOR

TYPE HG-2



BAR TO CABLE

CAT. NO.	NUMBER OF BARS	WIDTH OF BARS	CONDUCTOR RANGE		FIG. NO.	DIMENSIONS IN INCHES		
			MIN.	MAX.		A	B	C
18306	1	2	#6 SOL.	2/0 STR.	1	3-1/4	5-3/4	3/8
18307	1	2	#1 SOL.	4/0 STR.	1	3-1/4	5-3/4	3/8
6552	1	2	1/0 SOL.	300 MCM	1	3-7/8	6-1/4	3/8
6553	1	3	1/0 SOL.	300 MCM	2	3-7/8	6-1/4	3/8
6554	1	4	1/0 SOL.	300 MCM	2	3-7/8	7-1/4	3/8
6555	1	2	300 MCM	500 MCM	1	4-1/4	6-1/4	1/2
6556	1	3	300 MCM	500 MCM	2	4-1/4	6-1/4	1/2
6557	1	4	300 MCM	500 MCM	2	4-1/4	7-1/4	1/2
6560	1	2	500 MCM	800 MCM	1	5-3/8	6-3/4	1/2
6561	1	3	500 MCM	800 MCM	2	5-3/8	6-3/4	1/2
6562	1	4	500 MCM	800 MCM	2	5-3/8	7-3/4	1/2
6565	1	2	750 MCM	1000 MCM	1	5-7/8	7-1/4	1/2
6566	1	3	750 MCM	1000 MCM	2	5-7/8	7-1/4	1/2
6567	1	4	750 MCM	1000 MCM	2	5-7/8	8-1/4	1/2
6568	2	2	750 MCM	1000 MCM	1	5-7/8	7-1/4	1/2
6569	2	3	750 MCM	1000 MCM	2	5-7/8	7-1/4	1/2
6570	2	4	750 MCM	1000 MCM	2	5-7/8	8-1/4	1/2
18308	1	2	1000 MCM	1500 MCM	1	6-1/2	7-1/4	1/2
6571	1	3	1000 MCM	1500 MCM	2	6-1/2	7-1/4	1/2
6572	1	4	1000 MCM	1500 MCM	2	6-1/2	8-1/4	1/2
6577	2	3	1000 MCM	1500 MCM	2	6-1/2	7-1/4	1/2
6578	2	4	1000 MCM	1500 MCM	2	6-1/2	8-1/4	1/2

Cb-Bar Conn

Example for Ordering: #6557 Royal Type HG-2 Connector, One 1/4" x 4" Bar to Two 300/500 MCM Cables.

Silicon Bronze bolts, nuts and lockwashers are standard.

Certified dimension prints will be furnished on request.

Special or unlisted sizes readily furnished.

NOTE: 1/2" bolts are furnished as STANDARD for 1/2" IPS tubing and larger, and 500 MCM cable and larger.

NOTE: This connector will meet or exceed NEMA requirements for Class CF-1; Pub. SG-1.

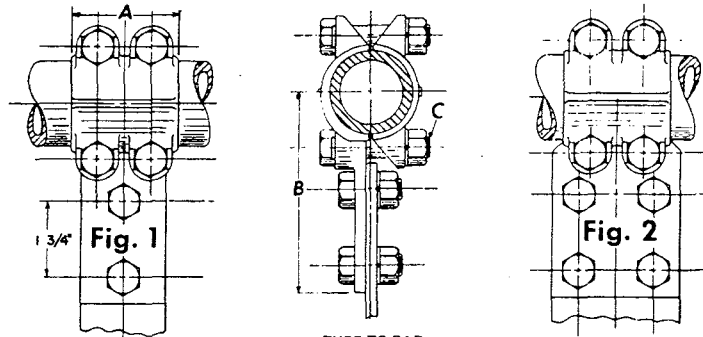
ROYAL SWITCHGEAR MANUFACTURING CO.

3995 Pine Lane SE • Bessemer, AL 35023 • (205) 426-4090 • FAX (205) 426-4095

Cb-4 POWER CONNECTORS

BAR CONNECTOR

TYPE HA



TUBE TO BAR

CAT. NO.	NUMBER OF BARS	WIDTH OF BARS	TUBE SIZE (IPS)	FIG. NO.	DIMENSIONS IN INCHES		
					A	B	C
6423	1	2	1/2	1	2-3/8	4-3/4	1/2
6424	1	3	1/2	2	2-3/8	4-3/4	1/2
6425	1	4	1/2	2	2-3/8	5-3/4	1/2
6426	1	2	3/4	1	2-3/8	4-7/8	1/2
6427	1	3	3/4	2	2-3/8	4-7/8	1/2
6428	1	4	3/4	2	2-3/8	5-7/8	1/2
6429	1	2	1	1	2-3/8	5	1/2
6430	1	3	1	2	2-3/8	5	1/2
6431	1	4	1	2	2-3/8	6	1/2
6432	2	2	1	1	2-3/8	5	1/2
6433	2	3	1	2	2-3/8	5	1/2
6434	2	4	1	2	2-3/8	6	1/2
6435	1	2	1-1/4	1	2-1/2	5-1/8	1/2
6436	1	3	1-1/4	2	2-1/2	5-1/8	1/2
6437	1	4	1-1/4	2	2-1/2	6-1/8	1/2
6438	2	2	1-1/4	1	2-1/2	5-1/8	1/2
6439	2	3	1-1/4	2	2-1/2	5-1/8	1/2
6440	2	4	1-1/4	2	2-1/2	6-1/8	1/2
6441	1	2	1-1/2	1	2-3/4	5-1/4	1/2
6442	1	3	1-1/2	2	2-3/4	5-1/4	1/2
6443	1	4	1-1/2	2	2-3/4	6-1/4	1/2
6444	2	2	1-1/2	1	2-3/4	5-1/4	1/2
6445	2	3	1-1/2	2	2-3/4	5-1/4	1/2
6446	2	4	1-1/2	2	2-3/4	6-1/4	1/2
6451	1	3	2	2	3	5-1/2	1/2
6452	1	4	2	2	3	6-1/2	1/2
6453	2	3	2	2	3	5-1/2	1/2
6454	2	4	2	2	3	6-1/2	1/2
6455	1	3	2-1/2	2	3-1/4	5-3/4	1/2
6456	1	4	2-1/2	2	3-1/4	6-3/4	1/2
6457	2	3	2-1/2	2	3-1/4	5-3/4	1/2
6458	2	4	2-1/2	2	3-1/4	6-3/4	1/2
6460	1	3	3	2	3-1/2	6-1/4	1/2
6461	1	4	3	2	3-1/2	7-1/4	1/2
6462	2	3	3	2	3-1/2	6-1/4	1/2
6463	2	4	3	2	3-1/2	7-1/4	1/2
6464	3	3	3	2	3-1/2	6-1/4	1/2
6465	3	4	3	2	3-1/2	7-1/4	1/2

Example for Ordering: #6440 Royal Type HA Connector, Two 1/4" x 4" Bars to 1-1/4" IPS Tube.

Silicon Bronze bolts, nuts and lockwashers are standard.

Bolt heads are nested between ears on the casting which prevents the bolt head from turning, and permits one wrench installation.

Certified dimension prints will be furnished on request.

Special or unlisted sizes readily furnished.

NOTE: 1/2" bolts are furnished as STANDARD for 1/2" IPS tubing and larger, and 500 MCM cable and larger.

NOTE: This connector will meet or exceed NEMA requirements for Class CF-1; Pub. SG-1.

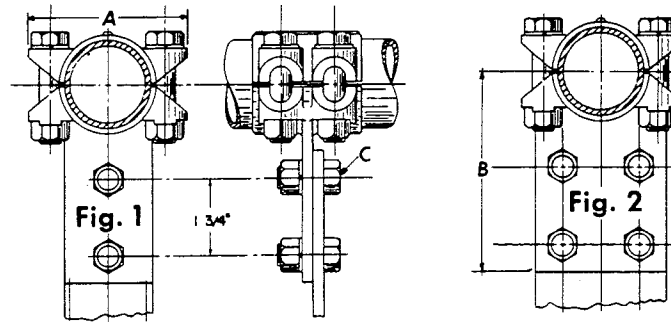
ROYAL SWITCHGEAR MANUFACTURING CO.

3995 Pine Lane SE • Bessemer, AL 35023 • (205) 426-4090 • FAX (205) 426-4095

POWER CONNECTORS **Cb-5**

BAR CONNECTOR

TYPE HB



TUBE TO BAR

CAT. NO.	NUMBER OF BARS	WIDTH OF BARS	TUBE SIZE (IPS)	FIG. NO.	DIMENSIONS IN INCHES		
					A	B	C
6466	1	2	1/2	1	2-5/8	4-1/4	1/2
6467	1	3	1/2	2	2-5/8	4-1/4	1/2
6468	1	4	1/2	2	2-5/8	5-1/4	1/2
6469	1	2	3/4	1	2-3/4	4-3/8	1/2
6470	1	3	3/4	2	2-3/4	4-3/8	1/2
6471	1	4	3/4	2	2-3/4	5-3/8	1/2
6472	1	2	1	1	3-1/8	4-1/2	1/2
6473	1	3	1	2	3-1/8	4-1/2	1/2
6474	1	4	1	2	3-1/8	5-1/2	1/2
6475	2	2	1	1	3-1/8	4-1/2	1/2
6476	2	3	1	2	3-1/8	4-1/2	1/2
6477	2	4	1	2	3-1/8	5-1/2	1/2
6478	1	2	1-1/4	1	3-3/8	4-5/8	1/2
6479	1	3	1-1/4	2	3-3/8	4-5/8	1/2
6480	1	4	1-1/4	2	3-3/8	5-5/8	1/2
6481	2	2	1-1/4	1	3-3/8	4-5/8	1/2
6482	2	3	1-1/4	2	3-3/8	4-5/8	1/2
6483	2	4	1-1/4	2	3-3/8	5-5/8	1/2
6484	1	2	1-1/2	1	3-5/8	4-3/4	1/2
6485	1	3	1-1/2	2	3-5/8	4-3/4	1/2
6486	1	4	1-1/2	2	3-5/8	5-3/4	1/2
6487	2	2	1-1/2	1	3-5/8	4-3/4	1/2
6488	2	3	1-1/2	2	3-5/8	4-3/4	1/2
6489	2	4	1-1/2	2	3-5/8	5-3/4	1/2
6494	1	3	2	1	4-1/8	5	1/2
6495	1	4	2	2	4-1/8	6	1/2
6496	2	3	2	2	4-1/8	5	1/2
6497	2	4	2	2	4-1/8	6	1/2
6498	1	3	2-1/2	2	4-5/8	5-1/4	1/2
6499	1	4	2-1/2	2	4-5/8	6-1/4	1/2
6500	2	3	2-1/2	2	4-5/8	5-1/4	1/2
6501	2	4	2-1/2	2	4-5/8	6-1/4	1/2
6503	1	3	3	2	5-1/4	5-1/2	1/2
6504	1	4	3	2	5-1/4	5-1/2	1/2
6505	2	3	3	2	5-1/4	5-1/2	1/2
6506	2	4	3	2	5-1/4	6-1/2	1/2
6507	3	3	3	2	5-1/4	5-1/2	1/2
6508	3	4	3	2	5-1/4	6-1/2	1/2

Example for Ordering: #6500 Royal Type HB Connector, Two 1/4" x 3" Bars to 2-1/2" IPS Tube.

Silicon Bronze bolts, nuts and lockwashers are standard.

Bolt heads are nested between ears on the casting which prevents the bolt head

from turning, and permits one wrench installation.

Certified dimension prints will be furnished on request.

Special or unlisted sizes readily furnished.

NOTE: 1/2" bolts are furnished as STANDARD for 1/2" IPS tubing and larger, and 500 MCM cable and larger.

NOTE: This connector will meet or exceed NEMA requirements for Class CF-1; Pub. SG-1.

ROYAL SWITCHGEAR MANUFACTURING CO.

3995 Pine Lane SE • Bessemer, AL 35023 • (205) 426-4090 • FAX (205) 426-4095

Cb-Bar Conn

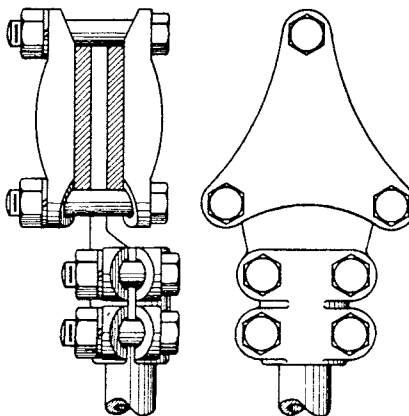
BUS TAP CLAMPS

TYPE BN

Width of Bars	Tube Size IPS	Catalog No.
2	1/2	5959
3	1/2	5960
2	3/4	5961
3	3/4	5962
4	3/4	5963
2	1	5964
3	1	5965
4	1	5966
2	1 1/4	5967
3	1 1/4	5968
4	1 1/4	5969
2	1 1/2	5970
3	1 1/2	5971
4	1 1/2	5972
3	2	5973
4	2	5974
5	2	5975
3	2 1/2	5976
4	2 1/2	5977
5	2 1/2	5978
3	3	5979
4	3	5980
5	3	5981

Example for ordering: - #5968 Royal Type BN bus tap clamp 3" bar run, 1 1/4" IPS tube tap.

Certified dimension prints on request. Specify width of bar clamp opening.



TYPE BP

Width of Bars	Tube Size IPS	Catalog No.
2	1/2	4000
3	1/2	4001
2	3/4	4002
3	3/4	4003
4	3/4	4004
2	1	4005
3	1	4006
4	1	4007
2	1 1/4	4008
3	1 1/4	4009
4	1 1/4	4010
2	1 1/2	4011
3	1 1/2	4012
4	1 1/2	4013
3	2	4014
4	2	4015
5	2	4016
3	2 1/2	4017
4	2 1/2	4018
5	2 1/2	4019
3	3	4020
4	3	4021
5	3	4022

Example for ordering: - #4020 Royal Type BP bus tap clamp 3" bar run, 3" IPS tube tap.

Certified dimension prints on request. Specify width of bar clamp opening.

Silicon Bronze bolts, nuts and lockwashers are standard.

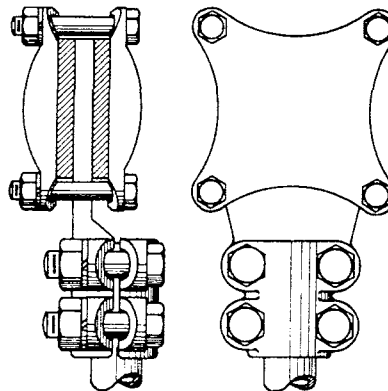
Bolt heads are nested between ears on the casting which prevents the bolt head from

turning, and permits one wrench installation.

Special or unlisted sizes readily furnished.

NOTE: 1/2" bolts are furnished as STANDARD for 1/2" IPS tubing and larger, and 500 MCM cable and larger.

NOTE: This connector will meet or exceed NEMA requirements for Class CF-1; Pub. SG-1.



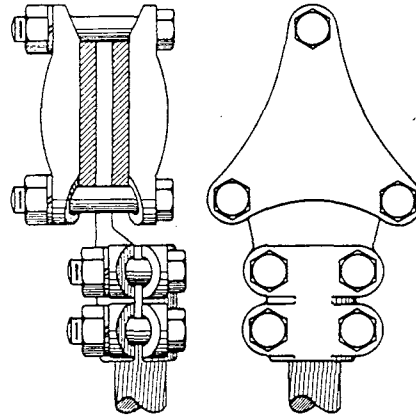
ROYAL SWITCHGEAR MANUFACTURING CO.

3995 Pine Lane SE • Bessemer, AL 35023 • (205) 426-4090 • FAX (205) 426-4095

POWER CONNECTORS **Cb-7**

BUS TAP CLAMPS

TYPE BL

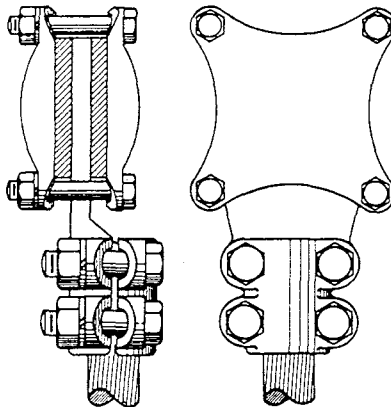


3 BOLTS			BAR TO CABLE			SINGLE TANG		
Width of Bar	Cable Size	Catalog No.	Width of Bar	Cable Size	Catalog No.	Width of Bar	Cable Size	Catalog No.
2	2/0	5861	2	2/0	5861	2	2/0	5861
3	2/0	5862	3	2/0	5862	3	2/0	5862
2	4/0	5863	2	4/0	5863	2	4/0	5863
3	4/0	5864	3	4/0	5864	3	4/0	5864
4	4/0	5865	4	4/0	5865	4	4/0	5865
2	300	5866	2	300	5866	2	300	5866
3	300	5867	3	300	5867	3	300	5867
4	300	5868	4	300	5868	4	300	5868
2	500	5944	2	500	5944	2	500	5944
3	500	5945	3	500	5945	3	500	5945
4	500	5946	4	500	5946	4	500	5946
2	750	5947	2	750	5947	2	750	5947
3	750	5948	3	750	5948	3	750	5948
4	750	5949	4	750	5949	4	750	5949
2	1000	5950	2	1000	5950	2	1000	5950
3	1000	5951	3	1000	5951	3	1000	5951
4	1000	5952	4	1000	5952	4	1000	5952
3	1500	5953	3	1500	5953	3	1500	5953
4	1500	5954	4	1500	5954	4	1500	5954
5	1500	5955	5	1500	5955	5	1500	5955
3	2000	5956	3	2000	5956	3	2000	5956
4	2000	5957	4	2000	5957	4	2000	5957
5	2000	5958	5	2000	5958	5	2000	5958

Example for ordering: - #5945 Royal Type BL 3 Bolt Bus Tap Clamp 3" Bar to 500 MCM Cable Tap.

Center line of Cable Tap is offset from center line of bus bar.

TYPE BZ



4 BOLTS			BAR TO CABLE			SINGLE TANG		
Width of Bar	Cable Size	Catalog No.	Width of Bar	Cable Size	Catalog No.	Width of Bar	Cable Size	Catalog No.
2	2/0	5982	2	2/0	5982	2	2/0	5982
3	2/0	5983	3	2/0	5983	3	2/0	5983
2	4/0	5984	2	4/0	5984	2	4/0	5984
3	4/0	5985	3	4/0	5985	3	4/0	5985
4	4/0	5986	4	4/0	5986	4	4/0	5986
2	300	5987	2	300	5987	2	300	5987
3	300	5988	3	300	5988	3	300	5988
4	300	5989	4	300	5989	4	300	5989
2	500	5990	2	500	5990	2	500	5990
3	500	5991	3	500	5991	3	500	5991
4	500	5992	4	500	5992	4	500	5992
2	750	5993	2	750	5993	2	750	5993
3	750	5994	3	750	5994	3	750	5994
4	750	5995	4	750	5995	4	750	5995
2	1,000	5996	2	1,000	5996	2	1,000	5996
3	1,000	5997	3	1,000	5997	3	1,000	5997
4	1,000	5998	4	1,000	5998	4	1,000	5998
3	1,500	5999	3	1,500	5999	3	1,500	5999
4	1,500	4039	4	1,500	4039	4	1,500	4039
5	1,500	4040	5	1,500	4040	5	1,500	4040
3	2,000	4041	3	2,000	4041	3	2,000	4041
4	2,000	4042	4	2,000	4042	4	2,000	4042
5	2,000	4043	5	2,000	4043	5	2,000	4043

Example for ordering: - #5990 Royal Type BZ bus tap clamp 2" bar run, 500 MCM cable tap.

Certified dimension prints on request. Specify width of bar clamp opening.

Silicon Bronze bolts, nuts and lockwashers are standard.

Bolt heads are nested between ears on the casting which prevents the bolt head from turning, and permits one wrench installation.

Special or unlisted sizes readily furnished.

NOTE: 1/2" bolts are furnished as STANDARD for 1/2" IPS tubing and larger, and 500 MCM cable and larger.

NOTE: This connector will meet or exceed NEMA requirements for Class CF-1; Pub. SG-1.

Cb-Bar Conn

ROYAL SWITCHGEAR MANUFACTURING CO.

3995 Pine Lane SE • Bessemer, AL 35023 • (205) 426-4090 • FAX (205) 426-4095

Cb-8 POWER CONNECTORS

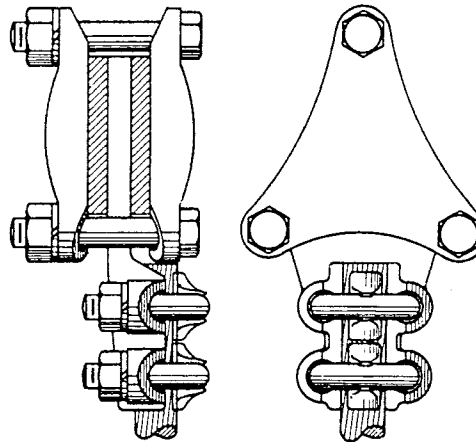
BUS TAP CLAMPS

TYPE BB

Width of Bar	Cable Range		Catalog No.
	Min.	Max.	
2	#6	2/0	10185
2	#1	4/0	10186
2	1/0	300	10187
2	300	500	10188
2	500	800	10189
2	750	1000	10190
3	#6	2/0	10191
3	#1	4/0	10192
3	1/0	300	10193
3	300	500	10194
3	500	800	10195
3	750	1000	10196
3	1000	1500	10197
3	1500	2000	10198
4	#1	4/0	10199
4	1/0	300	10200
4	300	500	10201
4	500	800	10202
4	750	1000	10203
4	1000	1500	10204
4	1500	2000	10205
5	#1	4/0	10206
5	1/0	300	10207
5	300	500	10208
5	500	800	10209
5	750	1000	10210
5	1000	1500	10211
5	1500	2000	10212

Example for ordering: - #10200 Royal Type BB 3 bolt bus tap clamp 4" bar, 1/0 to 300 MCM cable range.

Center line of cable tap is offset from center line of bus bar.

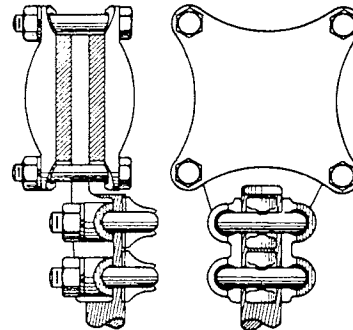


TYPE BW

Width of Bar	Cable Range		Catalog No.
	Min.	Max.	
2	#6	2/0	4027
2	#1	4/0	4028
2	1/0	300,000	4029
2	300,000	500,000	4030
2	500,000	750,000	4031
2	750,000	1,000,000	4032
3	#6	2/0	4033
3	#1	4/0	4034
3	1/0	300,000	4035
3	300,000	500,000	4036
3	500,000	750,000	4037
3	750,000	1,000,000	4038
3	1,000,000	1,500,000	6389
3	1,500,000	2,000,000	6390
4	#1	4/0	6391
4	1/0	300,000	6392
4	300,000	500,000	6700
4	500,000	750,000	6701
4	750,000	1,000,000	6702
4	1,000,000	1,500,000	6703
4	1,500,000	2,000,000	6704
5	#1	4/0	6705
5	1/0	300,000	6706
5	300,000	500,000	6707
5	500,000	750,000	6708
5	750,000	1,000,000	6709
5	1,000,000	1,500,000	6710
5	1,500,000	2,000,000	6711

Example for ordering: - #4033 Royal Type BW bus tap clamp 3" bar run, #6 to 2/0 cable tap.

Certified dimension prints on request. Specify width of bar clamp opening.



Individual keepers assembled captive on "U" bolts provide highest contact pressure.

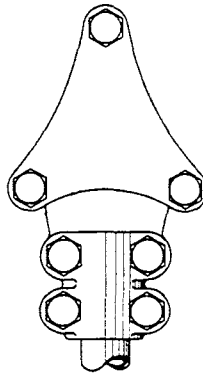
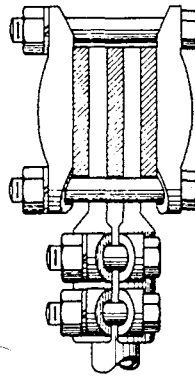
ROYAL SWITCHGEAR MANUFACTURING CO.

3995 Pine Lane SE • Bessemer, AL 35023 • (205) 426-4090 • FAX (205) 426-4095

POWER CONNECTORS **Cb-9**

BUS TAP CLAMPS

TYPE BE



3 BOLTS-BAR TO TUBE MULTI-TANG

Tube Size IPS	Width of Bars	Number of Bars	Bronze Cat. No.
1/2	2	1	5796
1/2	3	1	5797
1/2	4	1	5798
3/4	2	1	5799
3/4	3	1	5800
3/4	4	1	5801
1	2	1	5802
1	3	1	5803
1	4	1	5804
1	2	2	5805
1	3	2	5806
1	4	2	5807
1 1/4	2	1	5808
1 1/4	3	1	5809
1 1/4	4	1	5810
1 1/4	3	2	5811
1 1/2	2	1	5812
1 1/2	3	1	5813
1 1/2	4	1	5814
1 1/2	2	2	5815
1 1/2	3	2	5816
1 1/2	4	2	5817
2	3	1	5818
2	4	1	5819
2	3	2	5820
2	4	2	5821
2 1/2	3	1	5822
2 1/2	4	1	5823
2 1/2	3	2	5824
2 1/2	4	2	5825
2 1/2	3	3	5826
3	3	1	5827
3	4	1	5828
3	3	2	5829
3	4	2	5830
3	3	3	5831
3	4	3	5832

Example for ordering: - #5811 Royal Type BE Bronze
3 Bolt Bus Bar Clamp 2-3" Bars to 1 1/4" IPS Tube.

Center Line of Tube Tap Intersects Center Line of Bus.

Can be furnished with two Conductor Taps.

Silicon Bronze bolts, nuts and lockwashers are standard.

Bolt heads are nested between ears on the casting which prevents the bolt head from turning, and permits one wrench installation.

Certified dimension prints will be furnished on request.

Special or unlisted sizes readily furnished.

NOTE: 1/2" bolts are furnished as STANDARD for 1/2" IPS tubing and larger, and 500 MCM cable and larger.

NOTE: This connector will meet or exceed NEMA requirements for Class CF-1; Pub. SG-1.

Cb-Bar Conn

ROYAL SWITCHGEAR MANUFACTURING CO.

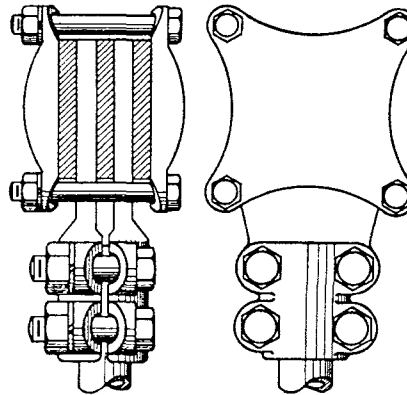
3995 Pine Lane SE • Bessemer, AL 35023 • (205) 426-4090 • FAX (205) 426-4095

Cb-10 POWER CONNECTORS

BUS TAP CLAMPS

TYPE BJ

4 BOLTS	BAR TO TUBE		MULTI TANG
Tube Size IPS	Width of Bars	Number of Bars	Bronze Cat. No.
1/2	2	1	5907
1/2	3	1	5908
1/2	4	1	5909
3/4	2	1	5910
3/4	3	1	5911
3/4	4	1	5912
1	2	1	5913
1	3	1	5914
1	4	1	5915
1	2	2	5916
1	3	2	5917
1	4	2	5918
1 1/4	2	1	5919
1 1/4	3	1	5920
1 1/4	4	1	5921
1 1/4	3	2	5922
1 1/2	2	1	5923
1 1/2	3	1	5924
1 1/2	4	1	5925
1 1/2	2	2	5926
1 1/2	3	2	5927
1 1/2	4	2	5928
2	3	1	5929
2	4	1	5930
2	3	2	5931
2	4	2	5932
2 1/2	3	1	5933
2 1/2	4	1	5934
2 1/2	3	2	5935
2 1/2	4	2	5936
2 1/2	3	3	5937
3	3	1	5938
3	4	1	5939
3	3	2	5940
3	4	2	5941
3	3	3	5942
3	4	3	5943



Example for ordering: - #5918 Royal Type BJ Bronze 4 Bolt Bus Bar Clamp 2-4" Bars to 1" IPS Tube.

Center line of the tube tap intersects center line of bus.

Can be furnished with two conductor taps.

Silicon Bronze bolts, nuts and lockwashers are standard.

Bolt heads are nested between ears on the casting which prevents the bolt head from turning, and permits one wrench installation.

Certified dimension prints will be furnished on request.

Special or unlisted sizes readily furnished.

NOTE: 1/2" bolts are furnished as STANDARD for 1/2" IPS tubing and larger, and 500 MCM cable and larger.

NOTE: This connector will meet or exceed NEMA requirements for Class CF-1; Pub. SG-1.

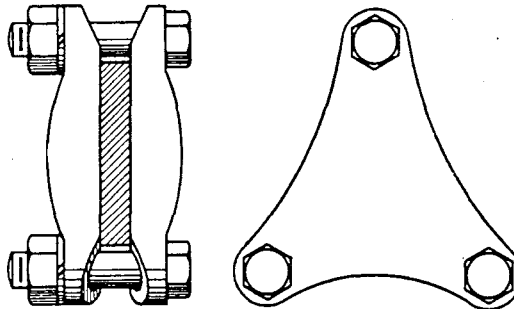
ROYAL SWITCHGEAR MANUFACTURING CO.

3995 Pine Lane SE • Bessemer, AL 35023 • (205) 426-4090 • FAX (205) 426-4095

POWER CONNECTORS Cb-11

BUS BAR CLAMPS

TYPE BK



"BAR TO BAR"

Width of Bus Inches		Bronze Cat. No.
Run	Tap	
1 1/2	1	5618
1 1/2	1 1/2	5619
2	1	5620
2	1 1/2	5621
2	2	5622
2 1/2	1	5623
2 1/2	1 1/2	5624
2 1/2	2	5625
2 1/2	2 1/2	5626
3	1	5627
3	1 1/2	5628
3	2	5629
3	2 1/2	5630
3	3	5631
3 1/2	1	5632
3 1/2	1 1/2	5633
3 1/2	2	5634
3 1/2	2 1/2	5635
3 1/2	3	5636
3 1/2	3 1/2	5637
4	1	5638
4	1 1/2	5639
4	2	5640
4	2 1/2	5641
4	3	5642
4	3 1/2	5643
4	4	5644
5	1	5645
5	1 1/2	5646
5	2	5647
5	2 1/2	5648
5	3	5649
5	3 1/2	5650
5	4	5651
5	5	5652

Example for ordering: - #5635 Royal Type BK 3 Bolt Bus Bar Clamp, Bronze, 3 1/2" Bar Run to 2 1/2" Bar Tap.

1. Spacers are not included, but may be ordered extra at \$0.50 list each.
2. Specify space between clamps so that proper length belts may be furnished.
3. Designs are available for use with double channel bus. We will be pleased to submit drawings upon receipt of specifications covering type of bus construction.
4. Detailed dimension prints furnished on request.

Cb-Bar Conn

ROYAL SWITCHGEAR MANUFACTURING CO.

3995 Pine Lane SE • Bessemer, AL 35023 • (205) 426-4090 • FAX (205) 426-4095

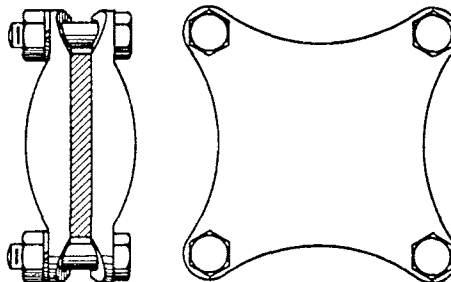
Cb-12 POWER CONNECTORS

BUS BAR CLAMPS

TYPE BF

4 BOLTS BAR TO BAR

Width of Bus Inches		Bronze Cat. No.
Run	Tap	
1 1/2	1	5724
1 1/2	1 1/2	5725
2	1	5726
2	1 1/2	5727
2	2	5728
2 1/2	1	5729
2 1/2	1 1/2	5730
2 1/2	2	5731
2 1/2	2 1/2	5732
3	1	5733
3	1 1/2	5734
3	2	5735
3	2 1/2	5736
3	3	5737
3 1/2	1	5738
3 1/2	1 1/2	5739
3 1/2	2	5740
3 1/2	2 1/2	5741
3 1/2	3	5742
3 1/2	3 1/2	5743
4	1	5744
4	1 1/2	5745
4	2	5746
4	2 1/2	5747
4	3	5748
4	3 1/2	5749
4	4	5750
5	1	5751
5	1 1/2	5752
5	2	5753
5	2 1/2	5754
5	3	5755
5	3 1/2	5756
5	4	5757
5	5	5758



Example for ordering: - #5750 Royal Type BF Bus Bar Clamp, Bronze, 4" Bar Run and Tap.

1. Spacers are not included, but may be ordered extra at \$0.50 list each.
2. Specify space between clamps so that proper length bolts may be furnished.
3. Designs are available for use with double channel bus. We will be pleased to submit drawings upon receipt of specifications covering type of bus construction.
4. Detailed dimension prints furnished on request.

ROYAL SWITCHGEAR MANUFACTURING CO.

3995 Pine Lane SE • Bessemer, AL 35023 • (205) 426-4090 • FAX (205) 426-4095