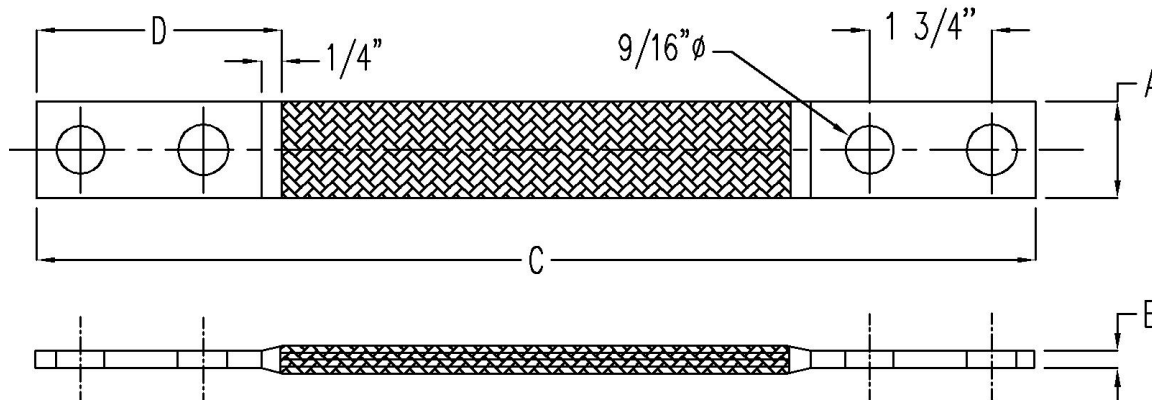


TYPE FC FLEXIBLE CONNECTORS

Bulletin No. 98-1007



CATALOG NUMBER	AMPERE RATING	NUMBER & SIZE OF BRAID	DIMENSIONS IN INCHES*			
			A	B	C	D
7312	200	1 - 76800 CM	1	1/8	12	3
7313	350	2 - 76800 CM	1	1/4	12	3
15841	400	3 - 76800 CM	1	5/16	12	3
7314	450	1 - 302400 CM	1 1/2	5/16	12	3
7315	550	1 - 76800 CM 1 - 302400 CM	1 1/2	3/8	12	3
15842	650	2 - 76800 CM 1 - 302400 CM	1 1/2	13/32	12	3
15843	750	3 - 76800 CM 1 - 302400 CM	1 1/2	7/16	12	3
7317	800	2 - 302400 CM	1 1/2	1/2	12	3
15844	900	2 - 76800 CM 2 - 302400 CM	1 1/2	5/8	12	3
15845**	1000	3 - 302400 CM	1 1/2	13/16	12	3
15846***	1200	4 - 302400 CM	1 1/2	1	12	3

*STANDARD DIMENSIONS SHOWN. CUSTOM UNITS ALSO AVAILABLE.

**CATALOG # 15845 CONSISTS OF (1) # 7314 & (1) # 7317.

***CATALOG # 15846 CONSISTS OF (2) # 7317.

- FLEXIBLE CONNECTORS WILL CARRY RATED CAPACITY INDOORS. FOR OUTDOOR APPLICATIONS, RATED CAPACITY INCREASES.
- BRAID IS TINNED BEFORE STRANDING. UNTINNED ALSO AVAILABLE.
- FERRULES ARE COMPLETELY TIN PLATED.
- STANDARD FERRULES SHOWN. CUSTOM FERRULES AVAILABLE, CONSULT FACTORY.

ROYAL SWITCHGEAR MANUFACTURING COMPANY

1-800-426-4380